

LIMITED WARRANTY

COMPANY NAME: _____

COMPANY ADDRESS: _____

CITY: _____ STATE: _____ ZIP: _____

MODEL: _____

SERIAL NUMBER: _____

DATE PURCHASED: _____

DEALER NAME: _____

DATE WARRANTY CARD RETURNED: _____

VIA: _____ WEBSITE _____ MAIL

FORCE UNLIMITED LLC



FORCE UNLIMITED LLC LIMITED WARRANTY

FORCE Unlimited LLC has manufactured or is distributing the Product or Parts to which this warranty is attached. It warrants that the Product or Parts will, under normal conditions of use and service, be free from material defects due to faulty manufacturing for a period of twelve (12) months from the date of delivery to the original user. If any Product or Part does not conform to this warranty, your Dealer will, at its option, repair or replace parts provided, and you will pay all labor costs and costs for materials other than warranty parts. If Product or Part is defective in materials or workmanship, you must promptly notify your Dealer and return to FORCE Unlimited or fax to 319-283-3086 the warranty registration card within 30 days from the date of delivery to original user. The installation of any Part that did not originate from FORCE Unlimited will void this limited warranty in its entirety. In the event of repair or replacement, the warranty period shall not be extended beyond the original warranty period.

If you fail to return the warranty registration card (in parts manual) to FORCE Unlimited within thirty (30) days after the date of delivery, this warranty shall not apply and your remedy for any defects in the Product will be your responsibility.

The above warranty does not cover:

- a. Product that is damaged by abuse, neglect, accident, or modification
- b. Fluids, towing, telephone, travel, loss of vehicle, inconvenience
- c. The product itself if parts are installed on the equipment that did not originate from FORCE Unlimited

The above warranty does not apply under the following conditions:

- a. When Product has been improperly used or installed, modified, or fails because of defects or inefficiency of components not furnished with the Product
- b. When Product is used for purposes for which it was not originally designed or intended, or is used under abnormal operating conditions
- c. When the Dealer or end-user fails to follow FORCE Unlimited instructions regarding the Product

This warranty is extended only to the original user and is not transferable. In the event of a warranty claim, you should promptly notify your Dealer and provide the following:

- a. Model & serial number of the Product
- b. Date of delivery to the original user
- c. Part number of the defective Part
- d. Description of the claim encountered

FORCE Unlimited LLC will bear no other expense including labor and material costs, other than those specified above. Unless modified in writing and signed by both parties, this Limited Warranty is understood to be the complete and exclusive agreement between the parties. No third party has authority to change or modify this warranty in any aspect.

LIMITED WARRANTY

2 YRS

SHELL STRUCTURE, SPINNER FRAME (including inferior welds & cracking)
CONVEYOR GEARBOX (including gears, bearings & seals)

1 YR

SPINNER MOTORS & ADAPTERS (including bearings & seals)
CONVEYOR MOTORS (including bearings & seals)
VALVE MOTORS & CARTRIDGES
CONVEYOR CHAIN – BELT & FASTENERS
CONVEYOR SPROCKETS & BEARINGS
FAN & CONVEYOR RATE SENSORS

WEAR ITEMS

SPINNER FINS
SPINNER DISCS

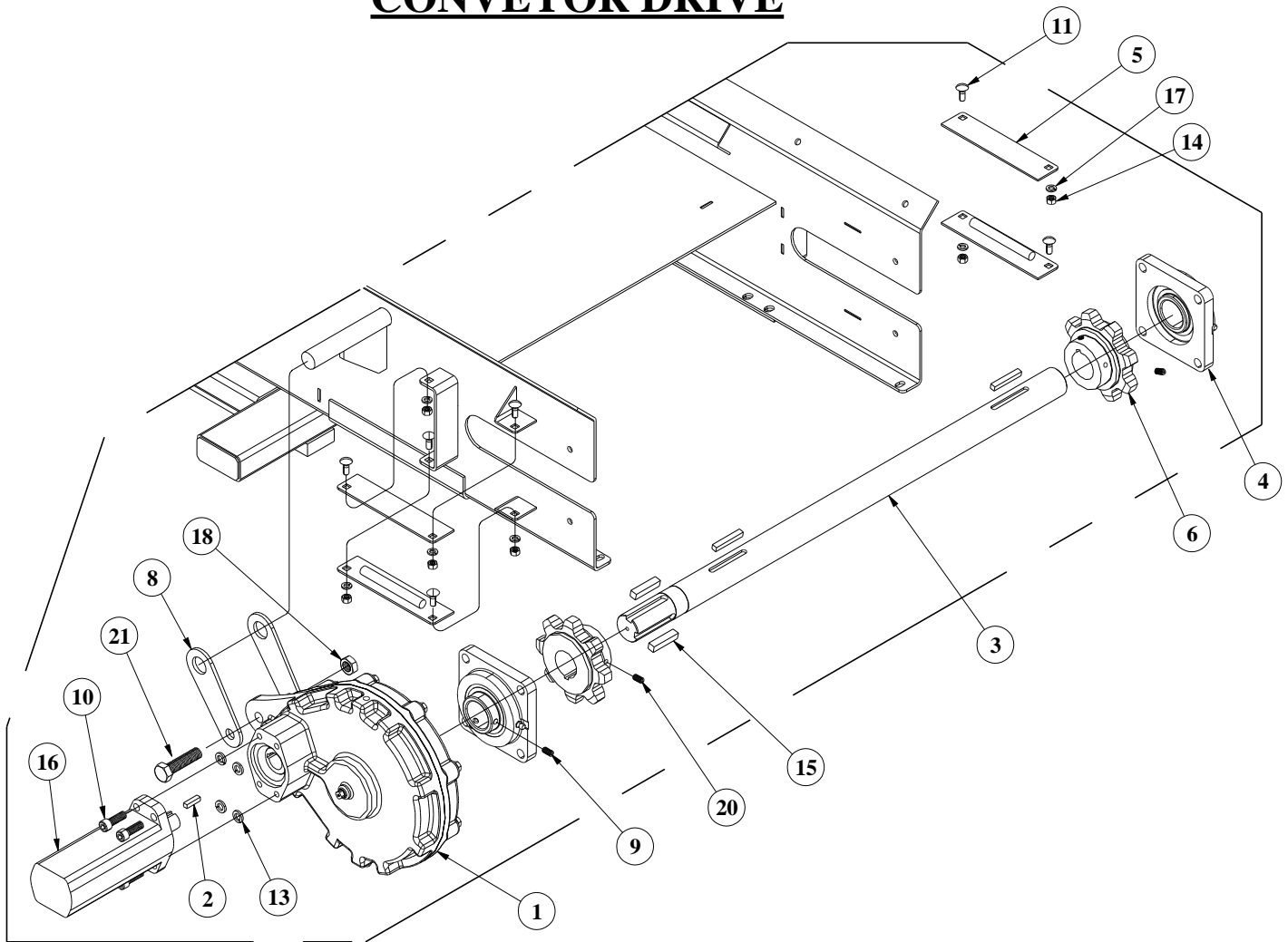
**MANUFACTURER HAS THE RIGHT TO REPLACE DEFECTIVE OR DAMAGED PARTS
WITH NEW OR REBUILT AT ITS OWN DISCRETION**

PARTS DAMAGED FROM ABUSE OR IMPROPER MAINTENANCE NOT COVERED

FORCE UNLTD. SPREADERS*GPS EQUIPMENT*CONVEYORS

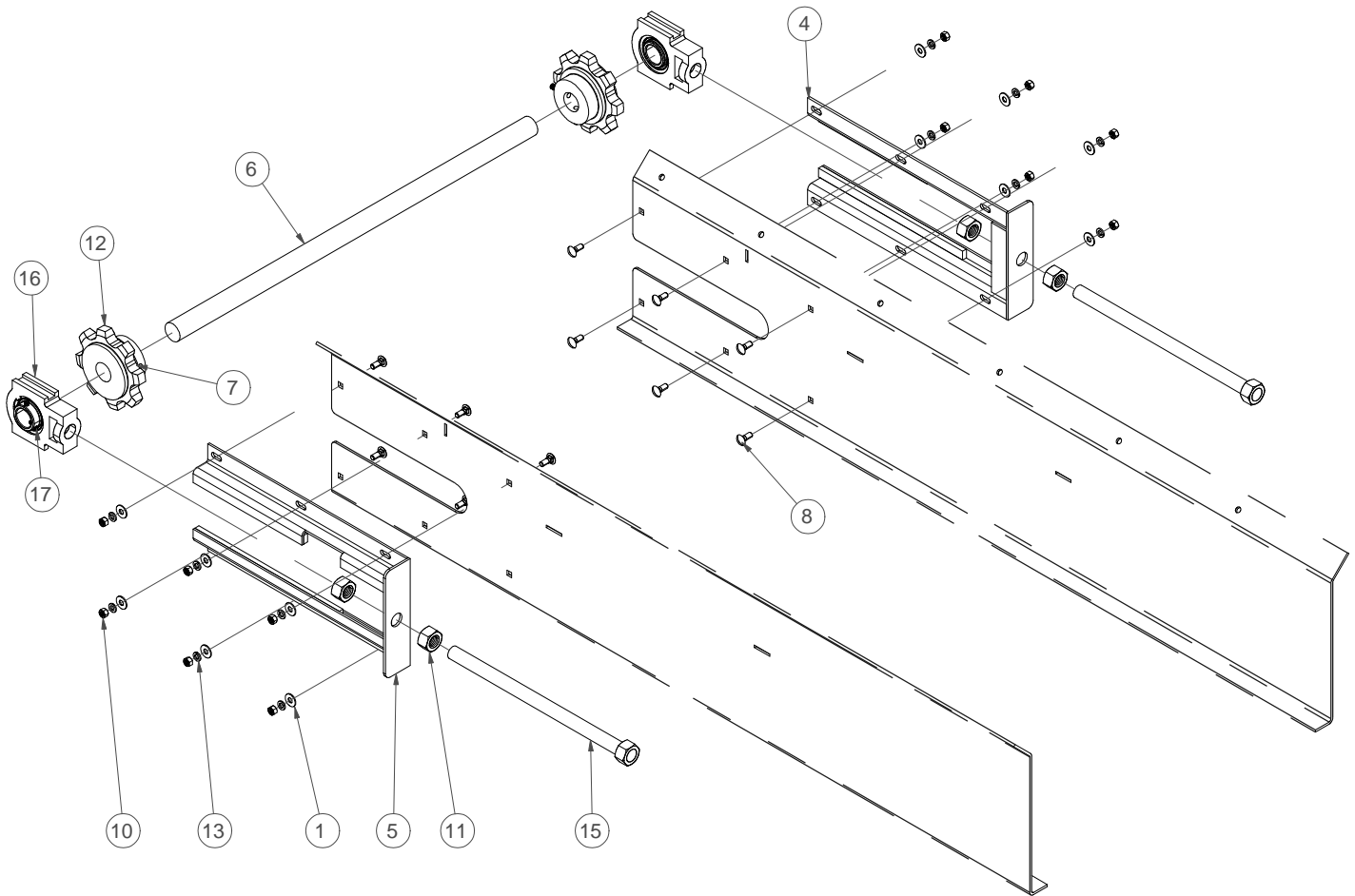
<u>ITEM</u>	<u>PAGE NO.</u>
Conveyor Drive	1
Conveyor Idler	2
Spinner Assembly w/Deflectors	3
	4
Jack Shaft Assembly	5
Spinner Guards & Material Flow Divider	6
Dump Valve for Units w/o PTO	7
Spinner/Conveyor Drive Hydraulics	8
Cab Shield	9
Main Valve Block Assembly	10
Main Valve Block Assembly Visual Reference	10.V
Hydraulic Reservoir	11
Reservoir/Pump Hydraulics	12
Full Float Fenders & Mudflaps	13
Semi Float Fenders & Brackets	13.1
Truck Tire Fenders & Brackets	13.2
Inverted "V" & Cross Brace Assembly	14
Sensor Wiring Harness	15
Decals	16
Gear Box	17
Belt Over Pintle Chain	18
Feedgate Assembly	19
Hillside Flow Divider	20
Hydraulic Pipes	21
Chain Shields	22
Light Options	23
Front Belt Sealer	24
Box Window - Optional	25
#2 Straight Chain	26
	27
	28
Remote Conveyor Hydraulics - Optional	29
Oil Cooler - Optional	34
Safety Decals	35
Optional 12" High SS Box Extensions	36

CONVEYOR DRIVE

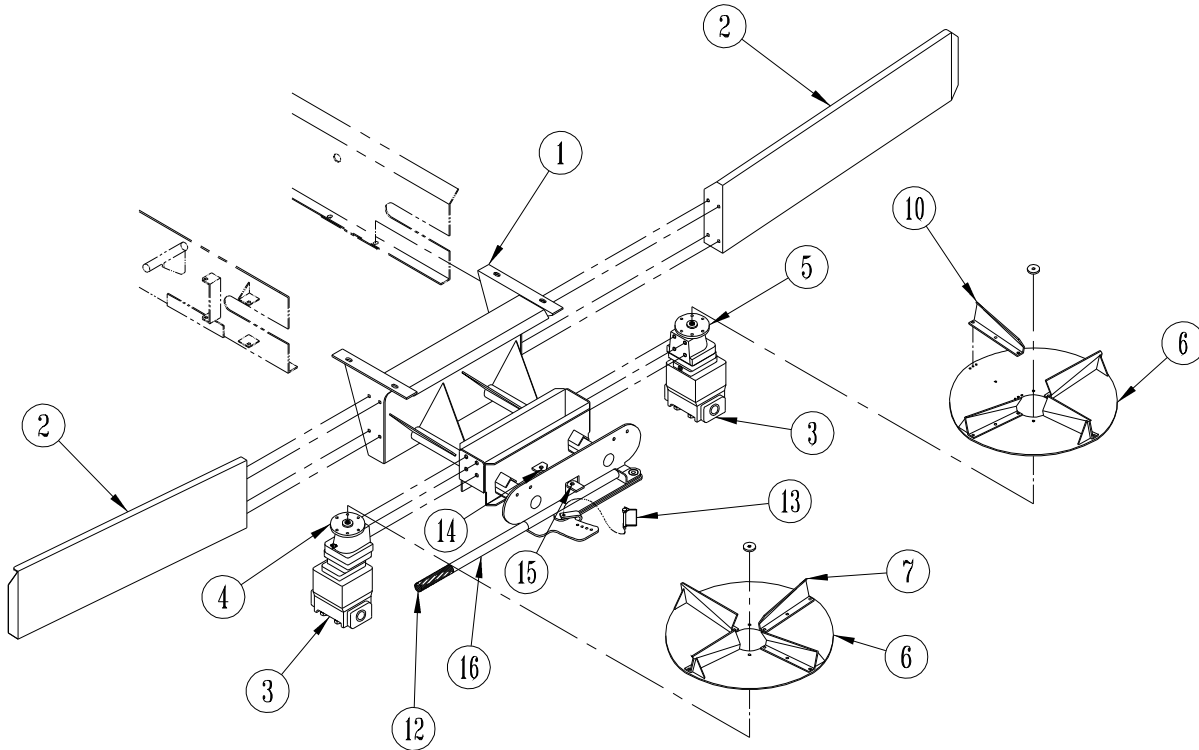


ITEM	PART NO.	DESCRIPTION	QTY
1	1220-50	Assembly - Gear Box	1
2	1220-145	Key - 5/16" x 5/16", 1-1/4" Lg.	1
3	1220-53	Shaft - Drive, with SS Sleeve	1
4	1217-102	Bearing	2
5	1234-102	Weldment - Bearing Slide	4
6	1217-20	Sprocket - Drive	2
7		Key - 3/8" x 3/8", 2-1/2" Lg.	2
8	1234-101	Arm - Idler	2
9		Set Screw - 3/8"-24 UNF x 3/8" Lg.	4
10	1200-403	Socket Head Capscrew - 1/2" x 1-1/2" Lg.	4
11	1200-302SS	Carriage Bolt - 3/8" UNC x 1" SS	8
13	1209-62	Lock Washer - 1/2"	4
14	1205-27	Nut - 3/8" UNC SS	8
15		Key - 1/2" x 1/2", 2-1/4" Lg.	2
16	1213-145	Motor - Hydraulic (Seal Kit 1213-145 SK)	1
17	1209-43	Lock Washer - 3/8" SS	8
18	1205-56	Lock Nut - 3/4" UNC SS	1
20		Set Screw - 3/8"-16 UNC x 3/8" Lg.	4
21	1200-604SS	Hex Head Capscrew - 3/4" UNC x 3" SS	1

CONVEYOR IDLER



ITEM	PART NO.	DESCRIPTION	QTY
1	1209-40	Flat Washer - 3/8"	12
4	1234-103 RH	RH Weldment - Take Up	1
5	1234-103	Weldment - Take Up	1
6	1220-51	Shaft - Idler	1
7		Set Screw - 3/8"-24 UNF x 3/8" Lg.	4
8	1200-302SS	Carriage Bolt - 3/8" UNC x 1" SS	12
10	1205-27	Nut - 3/8" UNC SS	12
11	1205-79	Nut - 1" UNC	4
12	1217-15	Sprocket - Idler	2
13	1209-43	Lock Washer - 3/8" SS	12
15	1225-02	Weldment - Take Up Bolt	2
16	1217-103	Bearing - Take Up	2
17		Set Screw - 5/16"-24 UNF x 5/16" Lg.	4



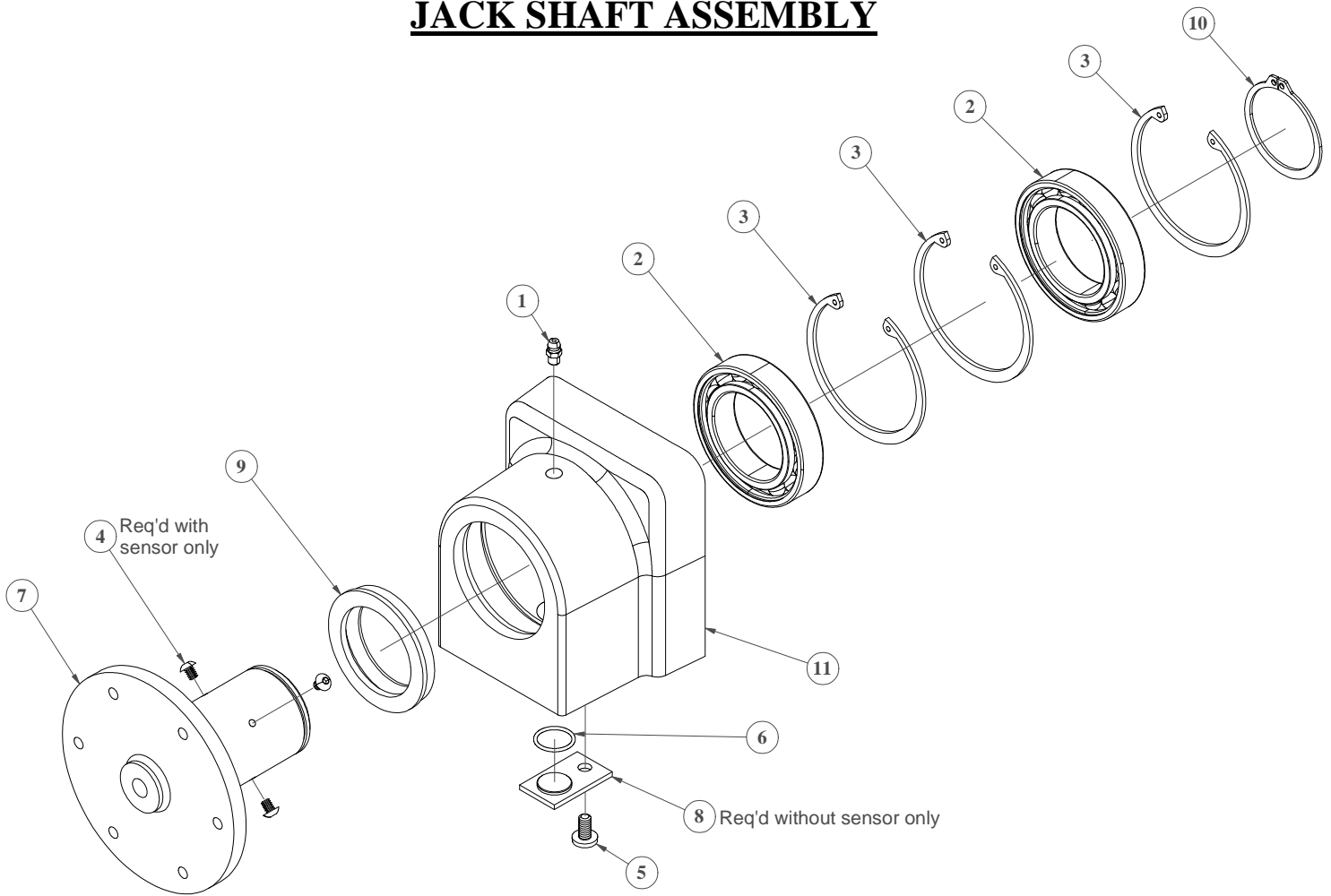
SPINNER ASSY. WITH DEFLECTORS

<u>ITEM</u>	<u>PART NO.</u>	<u>DESCRIPTION</u>	<u>QTY.</u>
1	1234-301	Weldment - Spinner Assembly Requires: (4) Carriage Bolt - 1/2" UNC x 2" SS (4) Flat Washer - 1/2" SS (4) Lock Washer - 1/2" SS (8) Nut - 1/2" UNC SS	1
2	1234-108	Weldment - Deflector Requires: (4) Hex Head Capscrew - 3/8" UNC x 1" SS (8) Flat Washer - 3/8" SS (4) Lock Washer - 3/8" SS (4) Nut - 3/8" UNC SS Per Deflector	1 RH, 1 LH
3	1213-15	Motor - Hydraulic Requires: (Per Motor) (4) Socket Head Capscrew - 1/2" UNC x 1-1/2" (4) Lock Washer - 1/2" (1) Key - Square, 5/16" x 1-1/2" Lg. Replacement Parts: Seal Kit Shaft & Gear Set	2
4	1218-73	Assembly - Jack Shaft with Sensor Mount Requires: (1) Hex Head Capscrew - 1/2" UNC x 1" SS (1) Washer - 1/2" SS (4) Hex Head Capscrew - 1/2" UNC x 1-1/4" SS (4) Lock Washer - 1/2" SS	1

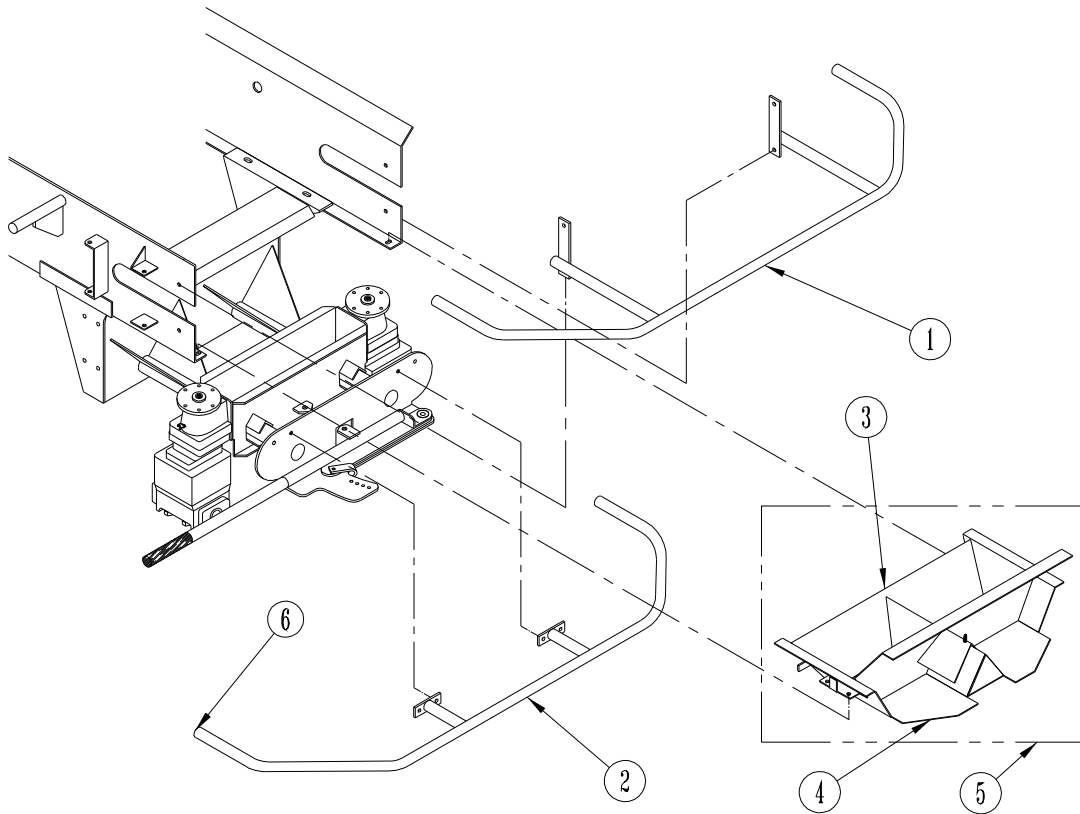
FORCE UNLTD. SPREADERS*GPS EQUIPMENT*CONVEYORS

ITEM	PART NO.	DESCRIPTION	QTY
5	1218-72 1200-400SS 1209-61 1200-4011 1209-63	Assembly - Jack Shaft without Sensor Mount Requires: (1) Hex Head Capscrew - 1/2" UNC x 1" SS (1) Washer - 1/2" SS (4) Hex Head Capscrew - 1/2" UNC x 1-1/4" SS (4) Lock Washer - 1/2" SS	1
6	1218-750 1200-203 1205-10	Universal 24" Disc - Dished Requires: (6) Hex Head Capscrew - 1/4" UNC x 1" MS (6) Top Lock Nut - 1/4" Per Disc	2
7	1218-711 1200-250 1205-17	Weldment - Fin, Left Hand Requires: (3) Hex Head Capscrew - 5/16" UNC x 3/4" MS (3) Top Lock Nut - 5/16" Per Fin	4
10	1218-701 1200-250 1205-17	Weldment - Fin, Right Hand Requires: (3) Hex Head Capscrew - 5/16" UNC x 3/4" MS (3) Top Lock Nut - 5/16" Per Fin	4
12	1218-01	Grip - Foam	1
13	1218-04	Adjusting - Safety Snap Pin	1
14	1225-01 1205-38	Threaded Rod - Fine, 1/2" x 3" Lg., SS Requires: (2) Nut - Hex 1/2" UNF MS	1
15	1218-02 1209-61 1205-39 1200-350	Rod End - Ball Joint, SS Requires: (1) Flat Washer - 1/2" SS (1) Lock Nut - Nylon Insert, Thin 1/2" UNC SS (1) Hex Head Capscrew - 1/2" UNC x 1-1/2" SS Per Rod End	2
16	1218-03 1218-06 1200-350 1205-39	Weldment - Adjusting Handle Requires: (1) Washer - Oversized (1) Hex Head Capscrew - 1/2" UNC x 1-1/2" SS (1) Lock Nut - Nylon Insert, Thin 1/2" UNC SS	1

JACK SHAFT ASSEMBLY

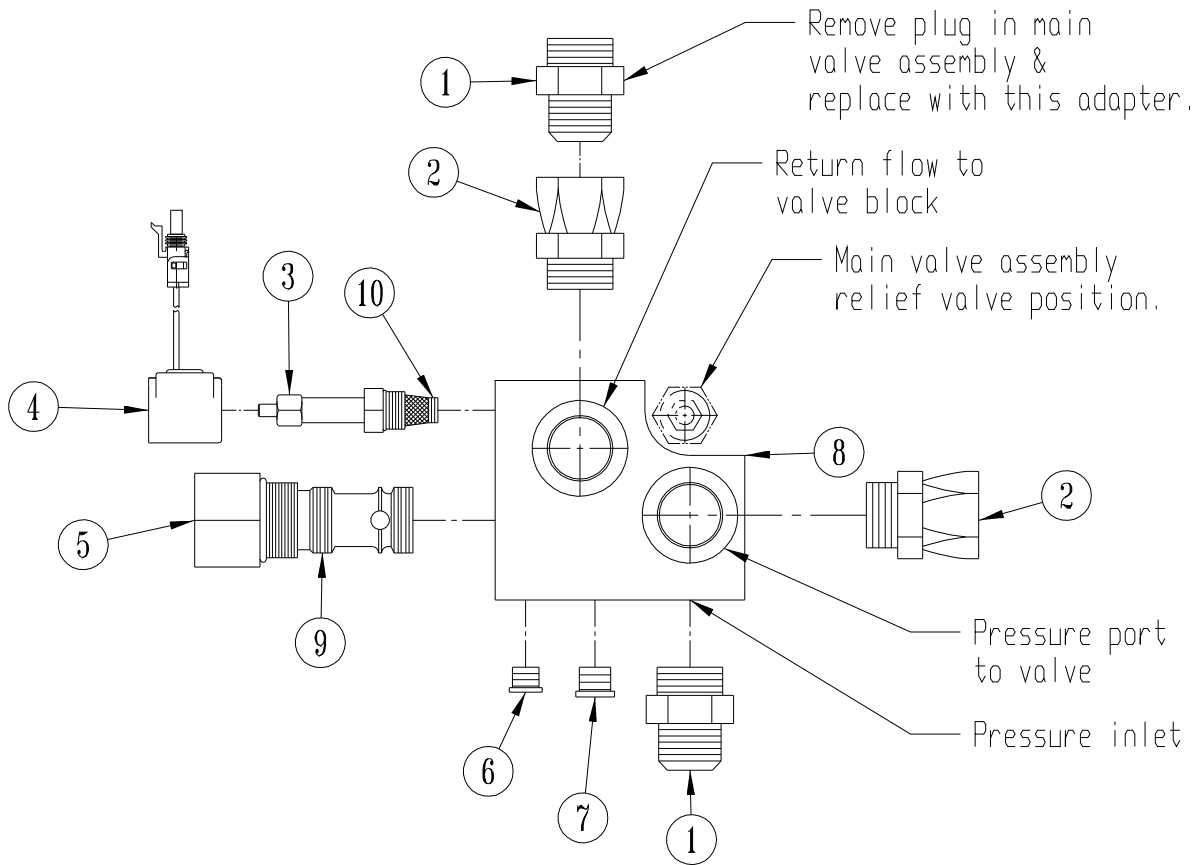


ITEM	PART NO.	DESCRIPTION	QTY
1	1204-02	Grease Nipple	1
2	1217-104	Bearing	2
3	1208-05	Snap Ring	3
4	1200-245	Cap Screw - Socket Head 10-24 x 1/4"	4
5		1/4-20 x 1/2" SS Philips Pan Head	1
6		O-Ring	1
7	1218-720	Jackshaft Hub	1
8	1218-735	Kit - Sensor Hole Plug (Includes items 5, 6 & 8)	1
9	1204-06	Seal - Lifetime	1
10	1208-06	Snap Ring	1
11	1218-73H	Housing Jackshaft - Spinner LH w/Sensor (1218-72H w/o Sensor)	1
12	1218-72	Complete Assembly - Jack Shaft without Sensor Mount	
13	1218-73	Complete Assembly - Jack Shaft with Sensor Mount	



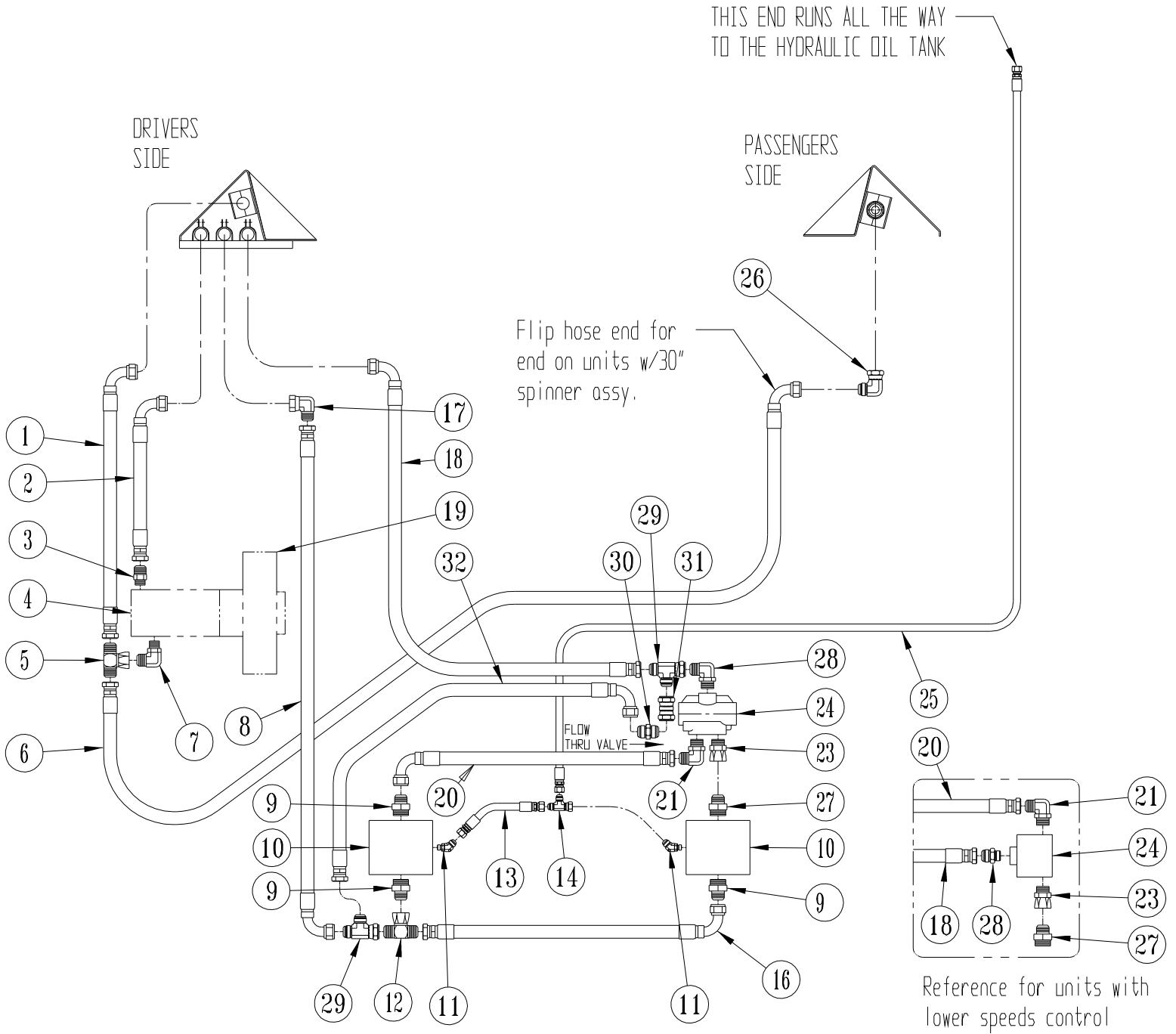
SPINNER GUARDS AND MATERIAL FLOW DIVIDER

ITEM	PART NO.	DESCRIPTION	QTY.
1	1234-305	Weldment - Spinner Guard, Upper Requires:	1
	1200-303SS	(4) Hex Head Capscrew - 3/8" UNC X 1-1/4" SS	
	1209-41	(8) Flat Washer - 3/8" SS	
	1205-26	(4) Lock Nut - 3/8" UNC SS	
2	1234-306	Weldment - Spinner Guard, Lower Requires:	1
	1200-303SS	(4) Hex Head Capscrew - 3/8" UNC X 1-1/4" SS	
	1209-41	(8) Flat Washer - 3/8" SS	
	1205-26	(4) Lock Nut - 3/8" UNC SS	
3	1234-402	Weldment - Material Flow Divider, Front Plate Requires:	1
	1200-302SS	(2) Hex Head Capscrew - 3/8" UNC X 1" SS	
	1209-41	(2) Flat Washer - 3/8" SS	
	1209-43	(2) Lock Washer - 3/8" SS	
	1205-27	(2) Nut - 3/8" UNC SS	
4	1234-403	Weldment - Material Flow Divider, Back Plate	1
5	1234-401	Assembly - Material Flow Divider Includes: Hardware from Item 3 and	1
	1209-41	(1) Flat Washer - 3/8" SS	
	1205-26	(1) Lock Nut - 3/8" SS	
6	1218-05	Plug - Tube, Poly	6



DUMP VALVE FOR UNITS W/O PTO

ITEM	PART NO.	DESCRIPTION	QTY
1	1202-116	Adapter - Straight	2
2	1202-117	Adapter - Straight	2
3	1222-1090	Valve - Solenoid Normally Open (w/manual override) **If replacing on unit prior to 2007 toggle switch wires may have to be switched .	1
4	1222-109CA	Coil	1
5	1222-108	Valve - Cartridge	1
6	1202-118	Plug	1
7	1202-1193	Plug	1
8	1211-175	Block - Hyd. System Dump Valve	1
9	1222-108K	Seal Kit	1
10	1222-109K	Seal Kit	1
	1223-176	Cable - Dump Valve Switch (Not Shown)	1
	1211-176	Assy - Dump Valve (Includes Items: 1, 2, 3, 4, 5 & 8)	1

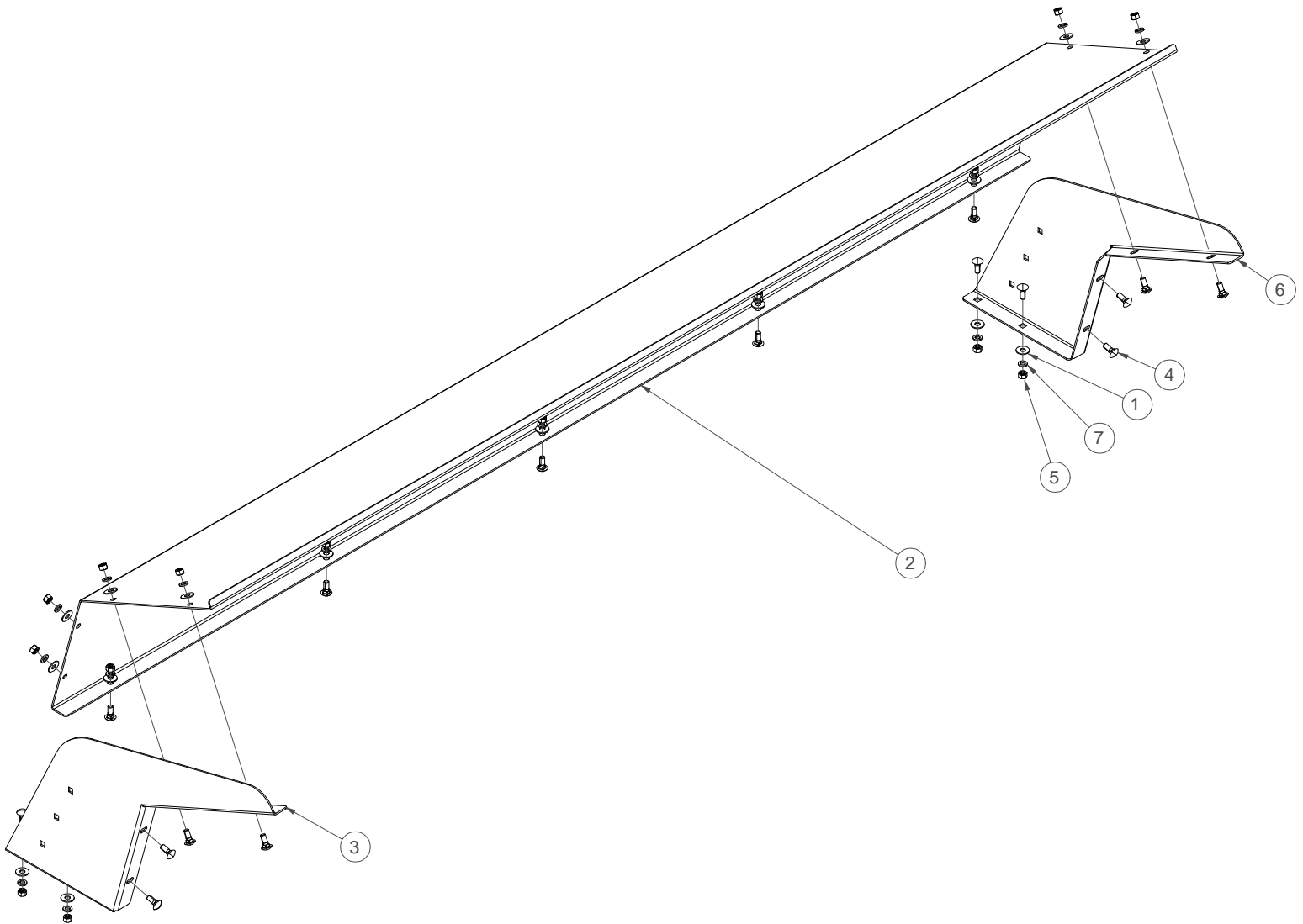


SPINNER/CONVEYOR DRIVE HYDRAULICS

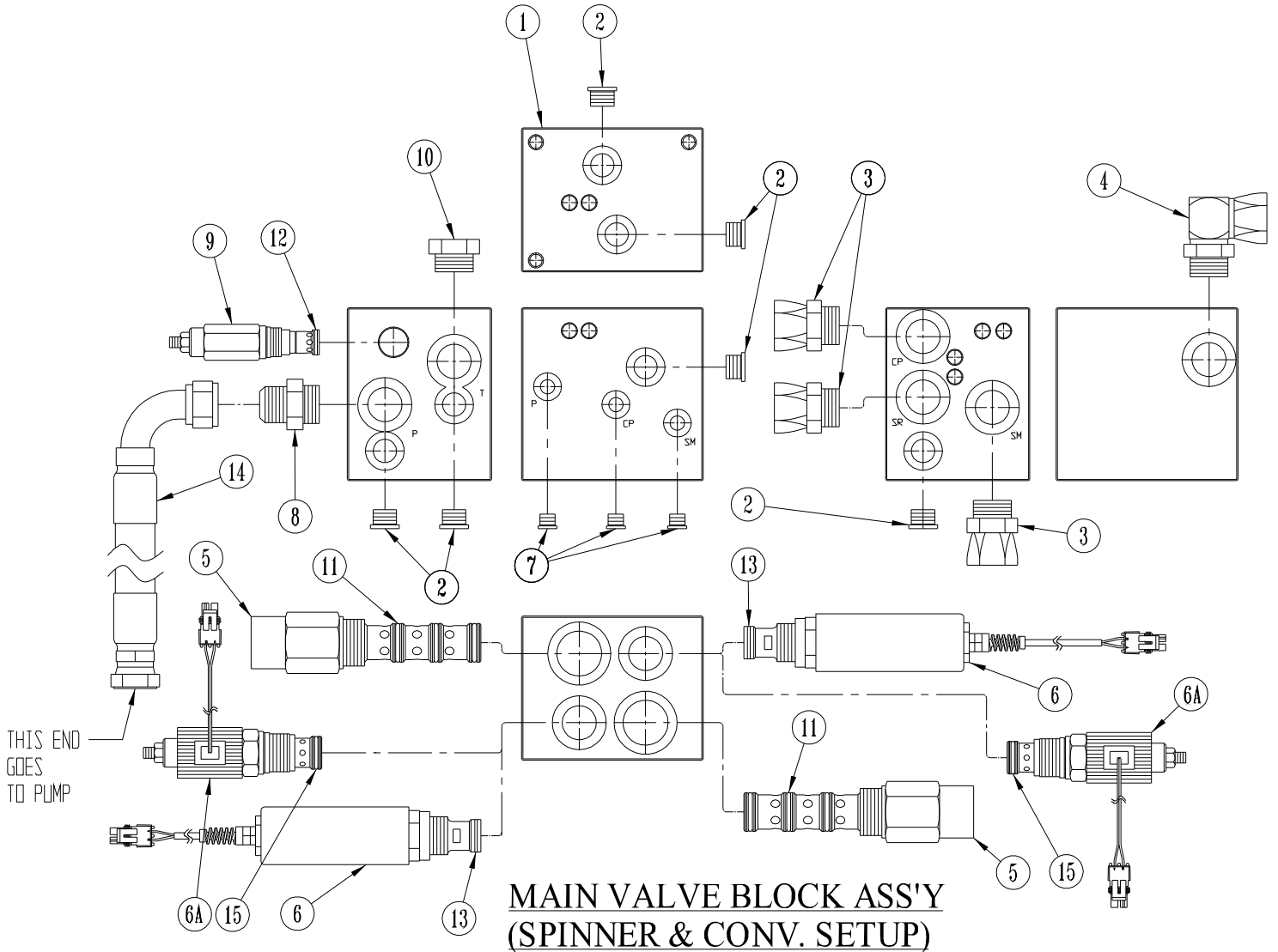
FORCE UNLTD. SPREADERS * GPS EQUIPMENT * CONVEYORS

ITEM	PART NO.	DESCRIPTION	QTY
1	1207-03	Hose Ass'y	1
2	1207-04 (Agforce) 1207-041 (Pro-Force)	Hose Ass'y	1
3	1202-111	Adapter - Straight	1
4		Motor - Hydraulic (See Pg. 1)	
5	1202-300 (24" Spinner Assy) 1202-3015 (30" Spinner Assy)	Adapter - Tee	1
6	1207-06 (24" Spinner Assy) 1207-065 (30" Spinner Assy)	Hose Ass'y	1
7	1202-204	Adapter - Elbow	1
8	1207-07 (24" Spinner Assy) 1207-075 (30" Spinner Assy)	Hose Ass'y	1
9	1202-112 (24" Spinner Assy) 1202-111 (30" Spinner Assy)	Adapter - Straight	3
10		Motor - Hydraulic, Spinner (See Pg. 3)	
11	1202-208	Adapter - 45 Deg.	2
12	1202-300	Adapter - Tee	1
13	1207-11 (24" Spinner Assy) 1207-111 (30" Spinner Assy)	Hose	1
14	1202-3014	Adapter - Tee	1
15			
16	1207-02 (24" Spinner Assy) 1207-021 (30" Spinner Assy)	Hose Ass'y	1
17	1202-200	Adapter - Elbow	1
18	1207-05 (24" Spinner Assy) 1207-055 (30" Spinner Assy)	Hose Ass'y	1
19		Gear Box (See Pg. 1)	
20	1207-01 (24" Spinner Assy) 1207-03 (24" Spinner Assy w/Lower Spinner Speeds Control) 1207-011 (30" Spinner Assy)	Hose Ass'y	1
21	1202-201 (STD Spinner Speeds Control) 1202-204 (Lower Spinner Speeds Control)	Adapter - Elbow	1
22			
23	1202-117 (STD Spinner Speeds Control) 1202-1171 (Lower Spinner Speeds Control)	Adapter - Straight	1
24	1211-18 (STD Spinner Speeds Control) 1211-181 (Lower Spinner Speeds Control) 1211-18SP (30" Spinner Assy)	Valve - Flow Divider	1
25	(12' BOX) 1207-08 (13' BOX) 1207-09 (14' BOX) 1207-10	Hose Ass'y	1
26	1202-200 (30" Spinner Assy)	Adapter - Elbow	1
27	1202-112 (24" Spinner Assy w/STD Speeds Control) 1202-1105 (24" Spinner Assy w/Lower Spinner Speeds Control) 1202-111 (30" Spinner Assy w/STD Speeds Control) 1202-110 (30" Spinner Assy w/Lower Spinner Speeds Control)	Adapter - Straight	1
28	1202-201 (STD Spinner Speeds Control) 1202-111 (Lower Spinner Speeds Control)	Adapter - Elbow Adapter - Straight	1
29	1202-3015 (30" Spinner Assy)	Adapter - Tee	2
30	1211-603 (30" Spinner Assy)	Check Valve	1
31	1202-6516 (30" Spinner Assy)	Adapter - Straight	1
32	1207-132 (30" Spinner Assy)	Hose Ass'y	1

OPTIONAL CAB SHIELD (102" WIDE BOXES)



ITEM	PART NO.	DESCRIPTION	QTY
1	1209-41	Flat Washer - 3/8" SS	17
2	1234-501	SS Cab Shield - Center	1
3	1234-502 RH	SS Cab Shield - RH Side	1
4	1200-302SS	Carriage Bolt - 3/8" UNC x 1" SS	17
5	1205-27	Nut - 3/8" UNC SS	17
6	1234-502 LH	SS Cab Shield - LH Side	1
7	1209-43	Lock Washer - 3/8" SS	17



**MAIN VALVE BLOCK ASS'Y
(SPINNER & CONV. SETUP)**

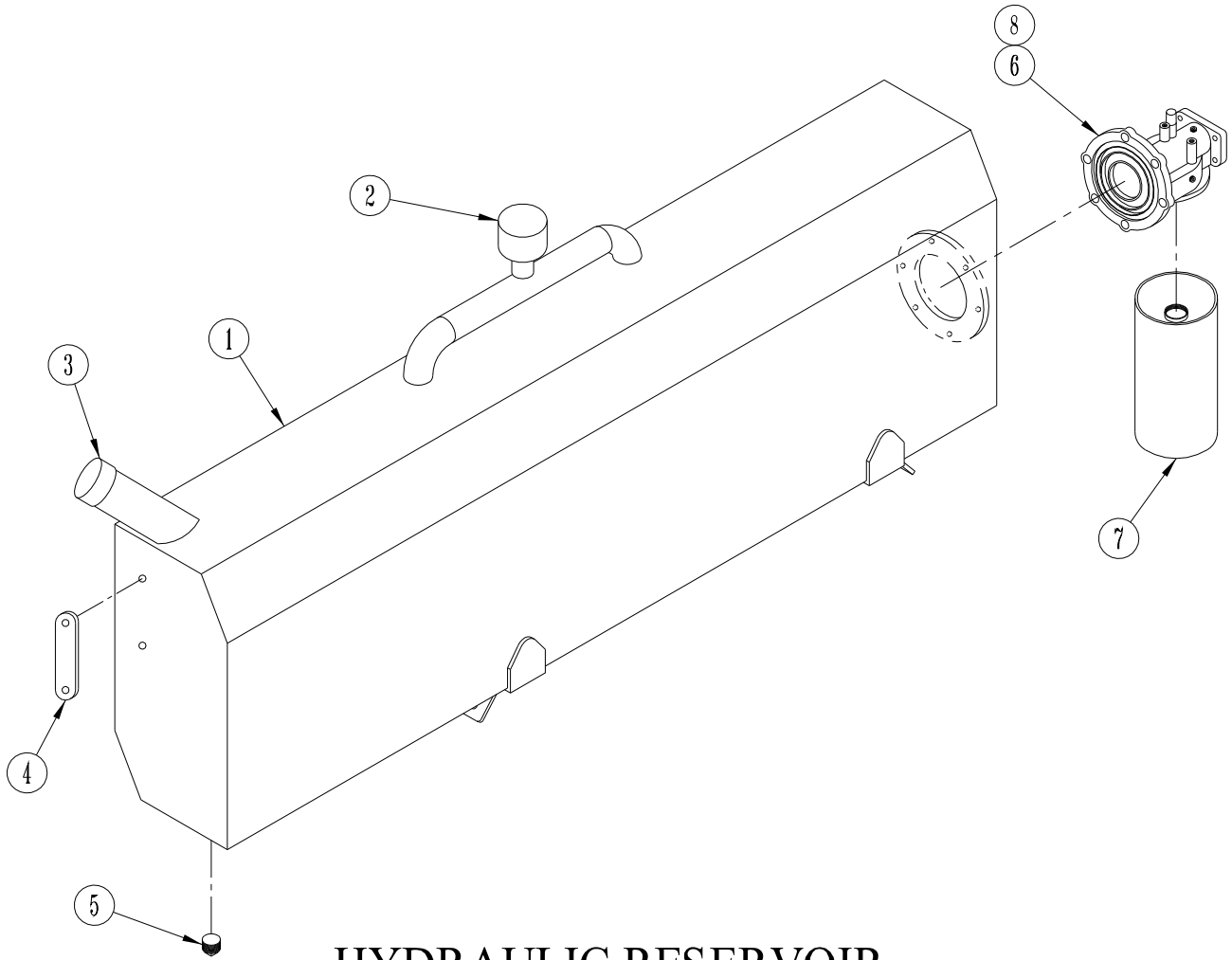
ITEM	PART NO.	DESCRIPTION	QTY
1	1211-00	Valve Block - Hydraulic Requires: 1200-400SS (3) Hex Head Capscrew - 1/2" UNC x 1" SS 1209-63 (3) Lock Washer - 1/2" SS	1
2	1202-119	Plug	6
3	1202-117	Adapter - Straight	3
4	1202-210	Adapter - Elbow	1
5	1211-80	Cartridge - PSI Compensator	2
6	1211-01 A	Valve - Hydraulic Servo	2
6A	1211-011 A	Valve - PWM	2
7	1202-118	Plug	3
8	1202-116	Adapter - Straight	1
9	1211-945	Valve - Hydraulic Relief	1
10	1202-120	Plug	1
11	1211-80K	Seal Kit	As Req'd
12	1211-95K	Seal Kit	As Req'd
13	1211-01 K	Seal Kit	As Req'd
14	1207-131	Hose Assy	1
15	1211-011SK	Seal Kit	1

Standard Main Valve Block Configuration



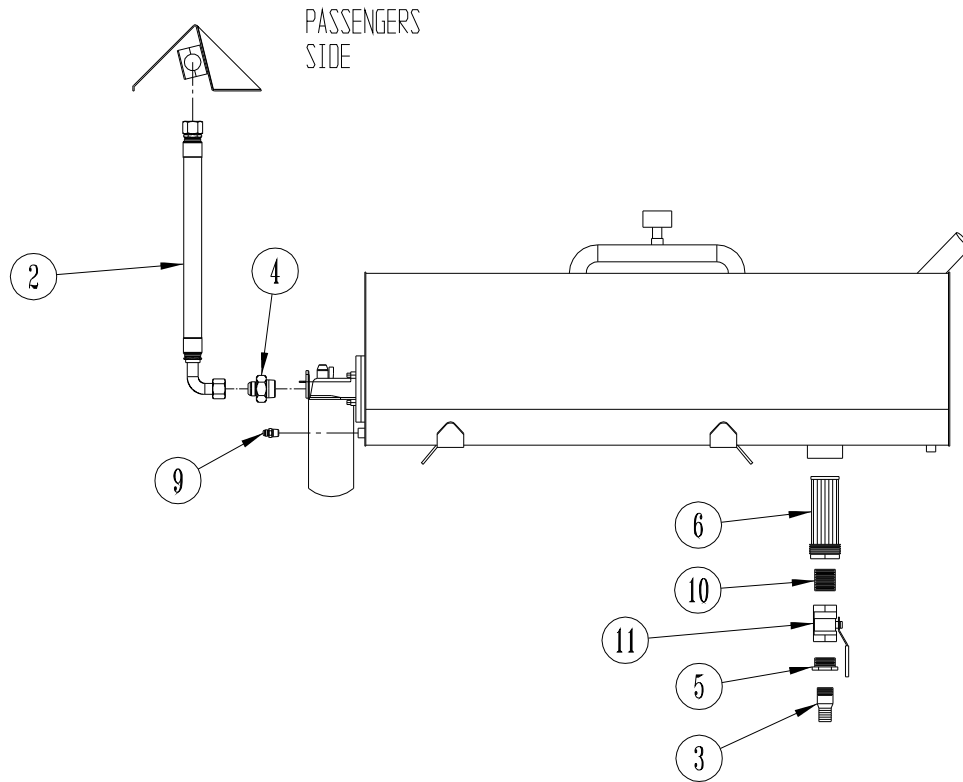
Note: This page is for visual purposes only.

For Details Reference: Pg. 10 Main Block (Conveyor & Spinner Setup)



HYDRAULIC RESERVOIR

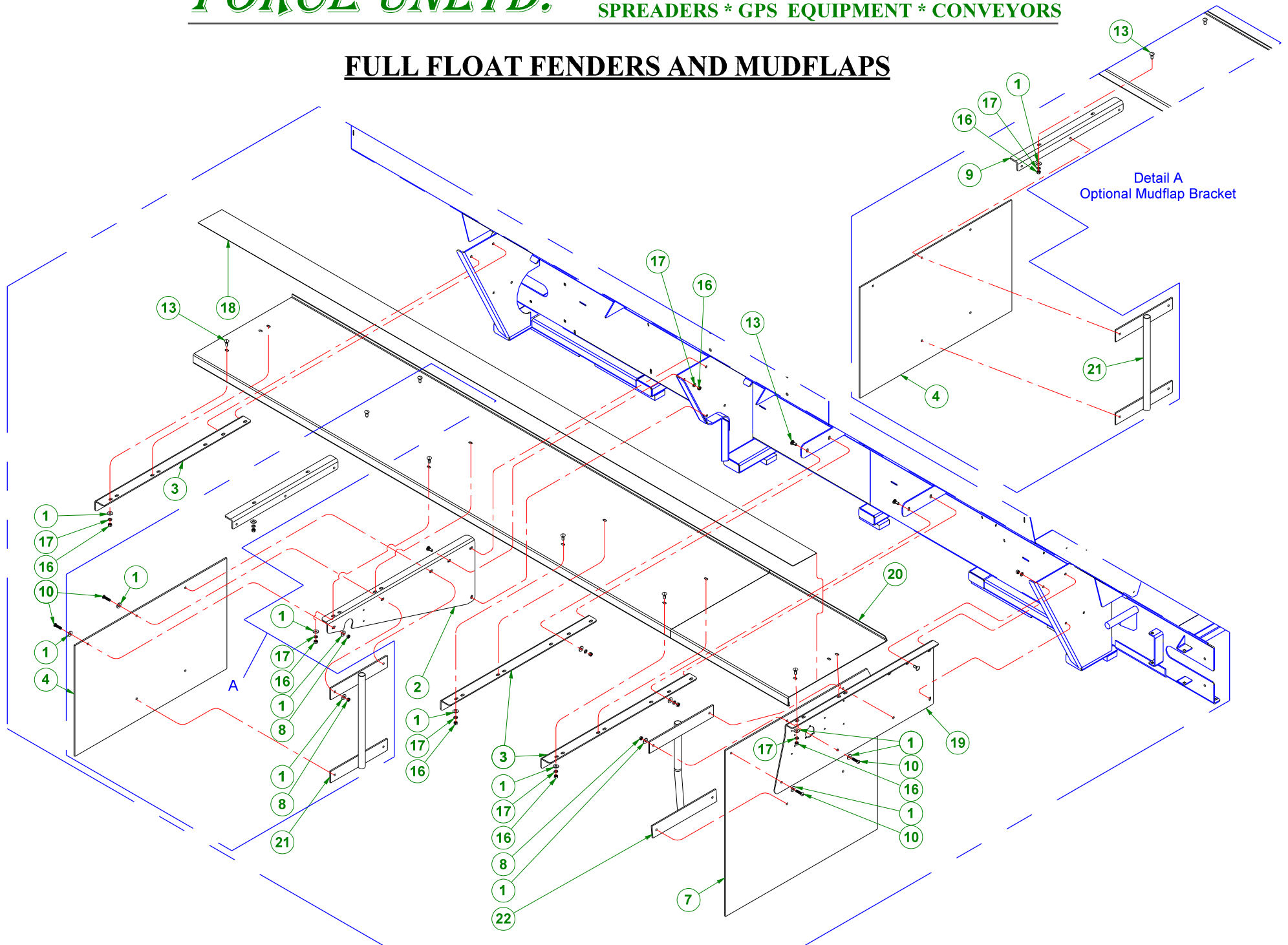
ITEM	PART NO.	DESCRIPTION	QTY
1	1234-201	Weldment - Reservoir, Hydraulic	1
	1200-4011	Requires:	
	1205-36	(4) Hex Head Cap Screw - 1/2" UNC x 1-1/4" SS	
	1209-63	(4) Nut - 1/2" UNC SS	
		(4) Lock Washer - 1/2" SS	
		Per Tank	
2	1220-34	Breather - Reservoir	1
3	1220-475	Cap - Fill	1
4	1221-9	Guage - Sight	1
5	1201-239	Plug - SS	1
6	1100-195	Housing - Filter	1
7	1220-37	Element - Filter	1
8	1100-195K	Seal Kit - Filter Housing	1



RESERVOIR/PUMP HYDRAULICS

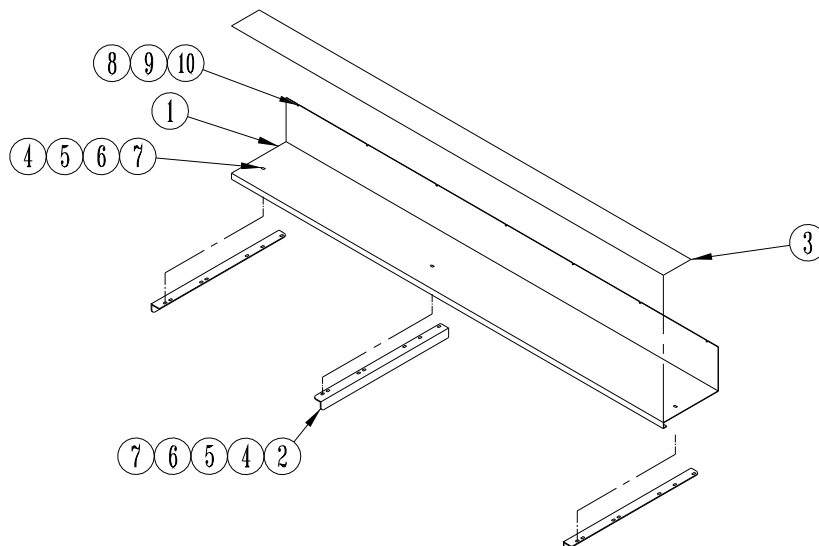
ITEM	PART NO.	DESCRIPTION	QTY.
1			
2	1 207-027	Hose - Hydraulic, Return	1
3	1 201-189	Nipple - King, SS	1
4	1 202-1027	Adapter - Straight	1
5	1 201-296	Bushing - Reducer, SS	1
6	1 220-36	Strainer - Suction	1
7			
8			
9	1 202-1003	Adapter - Straight	1
10	1 201-288	Optional Nipple - Close, SS (req'd w/opt. shutoff valve)	1
11	1 211-13	Optional Valve - Shutoff, SS	1

FULL FLOAT FENDERS AND MUDFLAPS



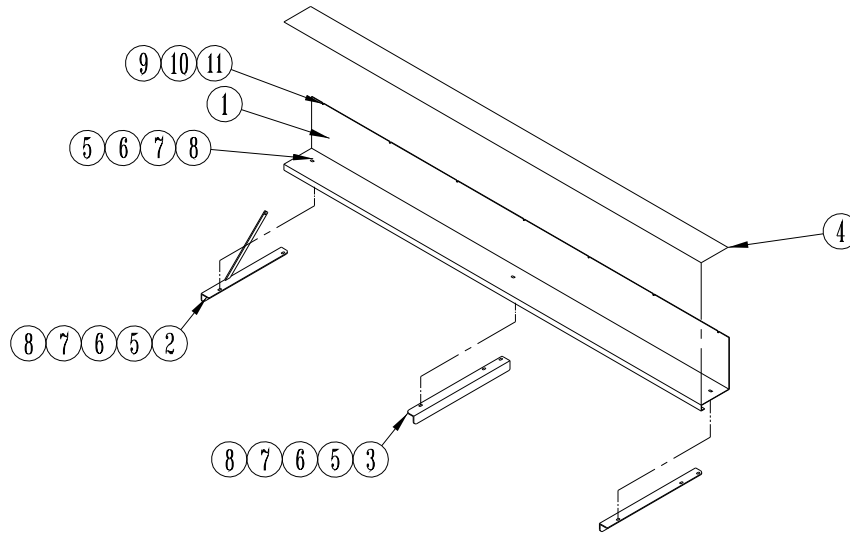
FULL FLOAT FENDERS AND MUDFLAPS

ITEM	PART NO.	DESCRIPTION	QTY
1	1209-41	Flat Washer - 3/8" SS	As Req'd
2	1234-603	Middle Fender Bracket (Used on 13', 14', 15', 18', 20'-24')	1 RH, 1 LH
3	1234-604	Fender Mounting Angle	As Req'd
4	F 3238P	Mudflap - 38" x 24"	1 RH, 1 LH
7	F 3844P	Mudflap - 38" x 36"	1 RH, 1 LH
8	1205-26	Nylon Lock Nut - 3/8" UNC SS	As Req'd
9	F 3238PBA	Optional Mudflap Bracket (for mounting mudflap farther ahead than the standard location)	2
10	1200-3047	Button Head Capscrew - 3/8" UNC x 1 1/2" SS	As Req'd
13	1200-302SS	Carriage Bolt - 3/8" UNC x 1" SS	As Req'd
16	1205-27	Nut - 3/8" UNC SS	As Req'd
17	1209-43	Lock Washer - 3/8" SS	As Req'd
18	1234-702	Safety Walk	As Req'd
19	1234-602	Rear Fender Bracket	1 RH, 1 LH
20	1234-6__	Full Float Fender - Specify Length of Box & MS or SS	1 RH, 1 LH
21	F 3238PB	Front Mudflap Bracket	2
22	F 3844PB	Rear Mudflap Bracket	2



SEMI FLOAT FENDERS AND BRACKETS

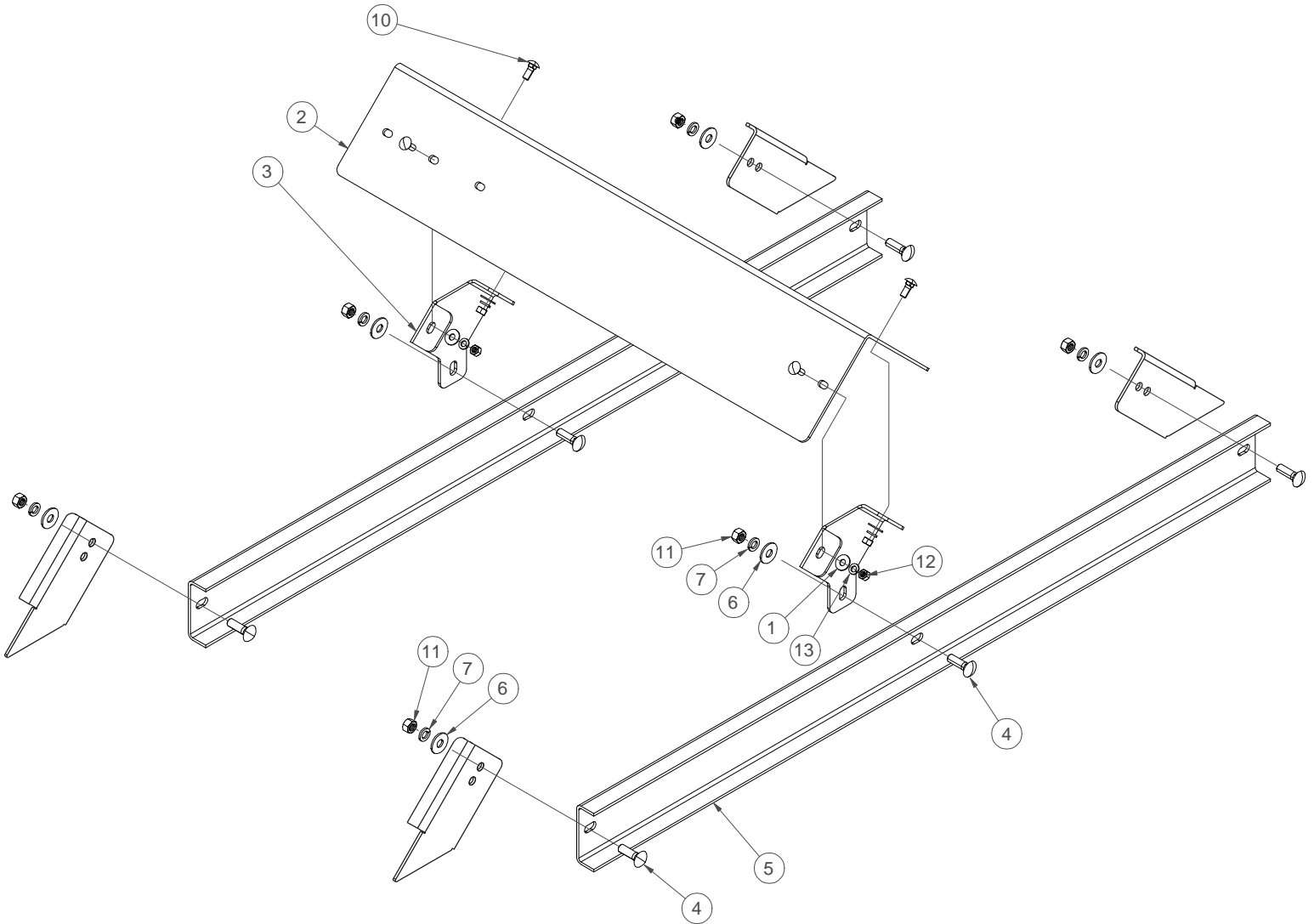
ITEM	PART NO.	DESCRIPTION	QTY.
1	1234-712 1234-712MS	SS Semi Float Fender - 12' MS Semi Float Fender - 12'	1 RH, 1 LH
1	1234-713 1234-713MS	SS Semi Float Fender - 13' MS Semi Float Fender - 13'	1 RH, 1 LH
1	1234-714 1234-714MS	SS Semi Float Fender - 14' MS Semi Float Fender - 14'	1 RH, 1 LH
1	1236-716 1236-716MS	SS Semi Float Fender - 16' MS Semi Float Fender - 16'	1 RH, 1 LH
1	1236-717 1236-717MS	SS Semi Float Fender - 17' MS Semi Float Fender - 17'	1 RH, 1 LH
1	1236-718 1236-718MS	SS Semi Float Fender - 18' MS Semi Float Fender - 18'	1 RH, 1 LH
1	1236-720 1236-720MS	SS Semi Float Fender - 20' MS Semi Float Fender - 20'	1 RH, 1 LH
1	1236-721 1236-721 MS	SS Semi Float Fender - 21' MS Semi Float Fender - 21'	1 RH, 1 LH
1	1236-722 1236-722MS	SS Semi Float Fender - 22' MS Semi Float Fender - 22'	1 RH, 1 LH
1	1236-723 1236-723MS	SS Semi Float Fender - 23' MS Semi Float Fender - 23'	1 RH, 1 LH
1	1236-724 1236-724MS	SS Semi Float Fender - 24' MS Semi Float Fender - 24'	1 RH, 1 LH
2	1234-604	Fender Mounting Angle	As Req'd
3	1234-702	Safety Walk	As Req'd
4	1209-43	Lock Washer - 3/8" SS	As Req'd
5	1205-27	Nut - 3/8" UNC SS	As Req'd
6	1200-302SS	Carriage Bolt - 3/8" UNC x 1" SS	As Req'd
7	1209-41	Flat Washer - 3/8" SS	As Req'd
8	1200-105	Hex Head Cap Screw - 1/4" UNC x 3/4" SS	As Req'd
9	1209-25S	Flat Washer - 1/4" SS	2 Per Item #8
10	1205-501	Lock Nut - 1/4" UNC SS	As Req'd



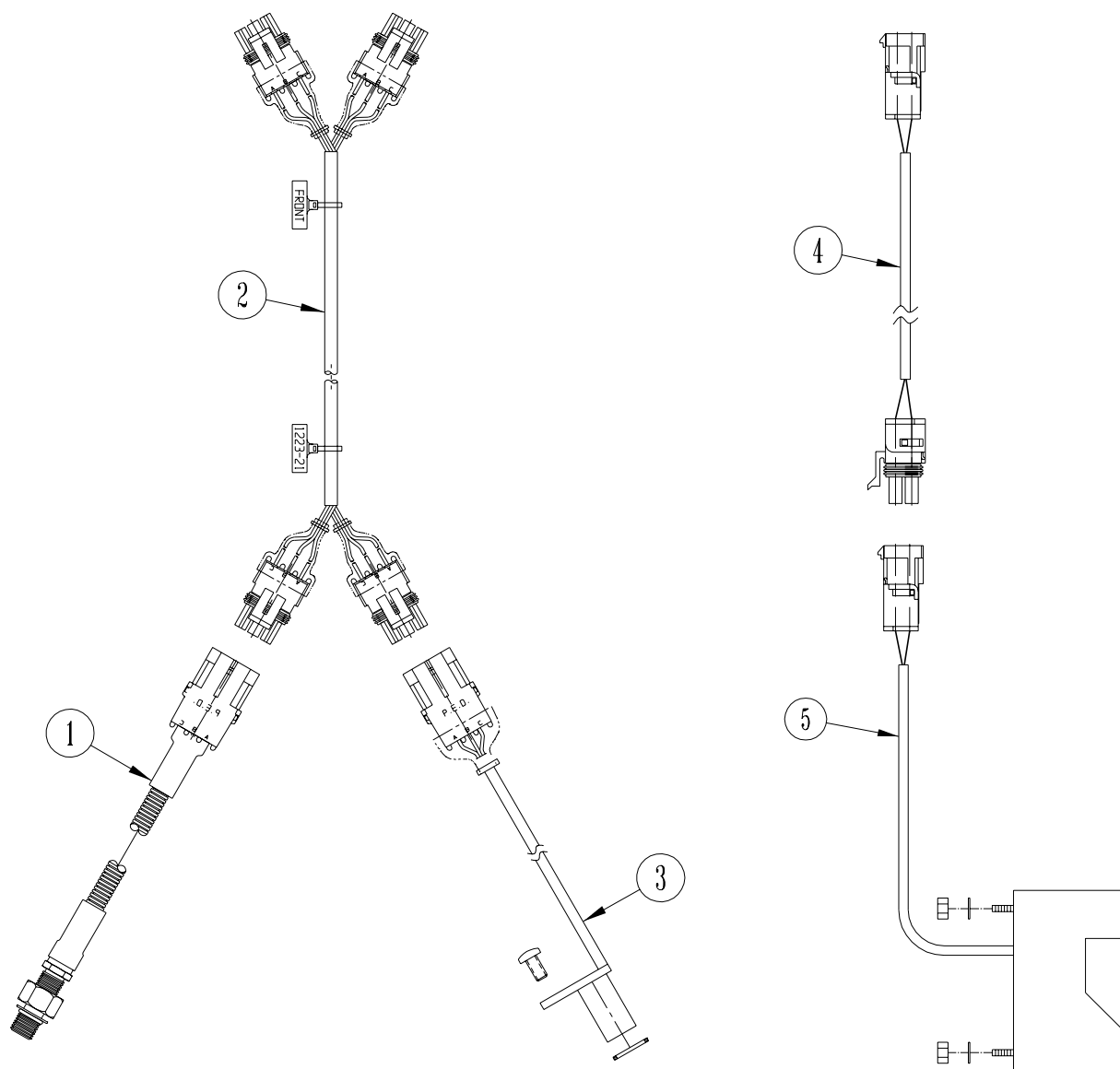
TRUCK TIRE FENDERS AND BRACKETS

ITEM	PART NO.	DESCRIPTION	QTY.
1	1234-812 1234-812MS	SS Truck Tire Fender - 12' MS Truck Tire Fender - 12'	1 RH, 1 LH
1	1234-813 1234-813MS	SS Truck Tire Fender - 13' MS Truck Tire Fender - 13'	1 RH, 1 LH
1	1234-814 1234-814MS	SS Truck Tire Fender - 14' MS Truck Tire Fender - 14'	1 RH, 1 LH
1	1236-816 1236-816MS	SS Truck Tire Fender - 16' MS Truck Tire Fender - 16'	1 RH, 1 LH
1	1236-817 1236-817MS	SS Truck Tire Fender - 17' MS Truck Tire Fender - 17'	1 RH, 1 LH
1	1236-818 1236-818MS	SS Truck Tire Fender - 18' MS Truck Tire Fender - 18'	1 RH, 1 LH
1	1236-820 1236-820MS	SS Truck Tire Fender - 20' MS Truck Tire Fender - 20'	1 RH, 1 LH
1	1236-821 1236-821MS	SS Truck Tire Fender - 21' MS Truck Tire Fender - 21'	1 RH, 1 LH
1	1236-822 1236-822MS	SS Truck Tire Fender - 22' MS Truck Tire Fender - 22'	1 RH, 1 LH
1	1236-823 1236-823MS	SS Truck Tire Fender - 23' MS Truck Tire Fender - 23'	1 RH, 1 LH
1	1236-824 1236-824MS	SS Truck Tire Fender - 24' MS Truck Tire Fender - 24'	1 RH, 1 LH
2	1236-603RH	Weldment - Fender Mounting Angle	As Req'd
2	1236-603LH	Weldment - Fender Mounting Angle	As Req'd
3	1236-604	Fender Mounting Angle	As Req'd
4	1234-702	Safety Walk	As Req'd
5	1209-43	Lock Washer - 3/8" SS	As Req'd
6	1205-27	Nut - 3/8" UNC SS	As Req'd
7	1200-302SS	Carriage Bolt - 3/8" UNC x 1" SS	As Req'd
8	1209-41	Flat Washer - 3/8" SS	As Req'd
9	1200-105	Hex Head Cap Screw - 1/4" UNC x 3/4" SS	As Req'd
10	1209-25S	Flat Washer - 1/4" SS	2 Per Item #9
11	1205-501	Lock Nut - 1/4" UNC SS	As Req'd

OPTIONAL INVERTED "V" & CROSS BRACE ASSEMBLY

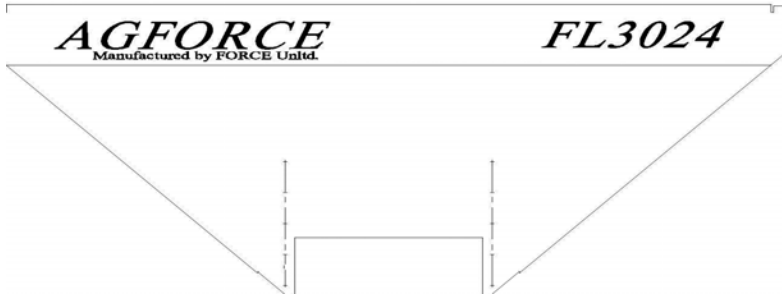


ITEM	PART NO.	DESCRIPTION	QTY
1	1209-41	Flat Washer - 3/8" SS	4
2	1234-105	Inverted "V"	1
3	1234-106	Bracket - Inverted "V"	2
4	1200-401	Carriage Bolt - 1/2" UNC x 1 1/4" SS	6
5	1234-107	Cross Brace	2
6	1209-61	Flat Washer - 1/2" SS	6
7	1209-63	Lock Washer - 1/2" SS	6
10	1200-302SS	Carriage Bolt - 3/8" UNC x 1" SS	4
11	1205-36	Nut - 1/2" UNC SS	6
12	1205-27	Nut - 3/8" UNC SS	4
13	1209-43	Lock Washer - 3/8" SS	4



SENSOR WIRING HARNESS

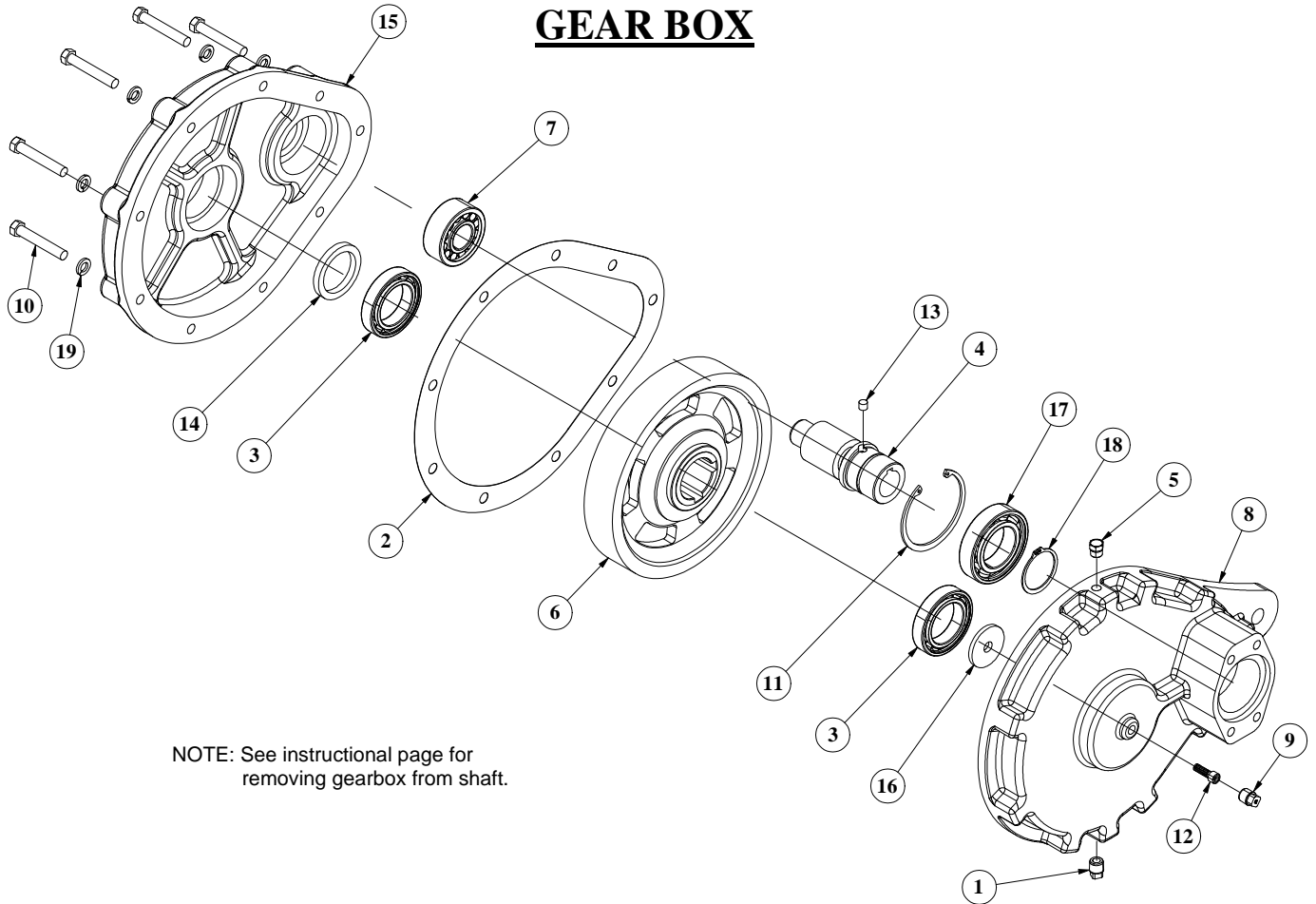
ITEM	PART NO.	DESCRIPTION	QTY
1	1223-600	Sensor - Conveyor Speed	1
2	1223-21	Cable Assy - Sensor	1
3	1223-22	Sensor - Hub Assy	1
4	1223-829	Optional Cable - Ass'y Bin Level	1
5	1223-64	Optional Sensor - Bin Level	1



Decals

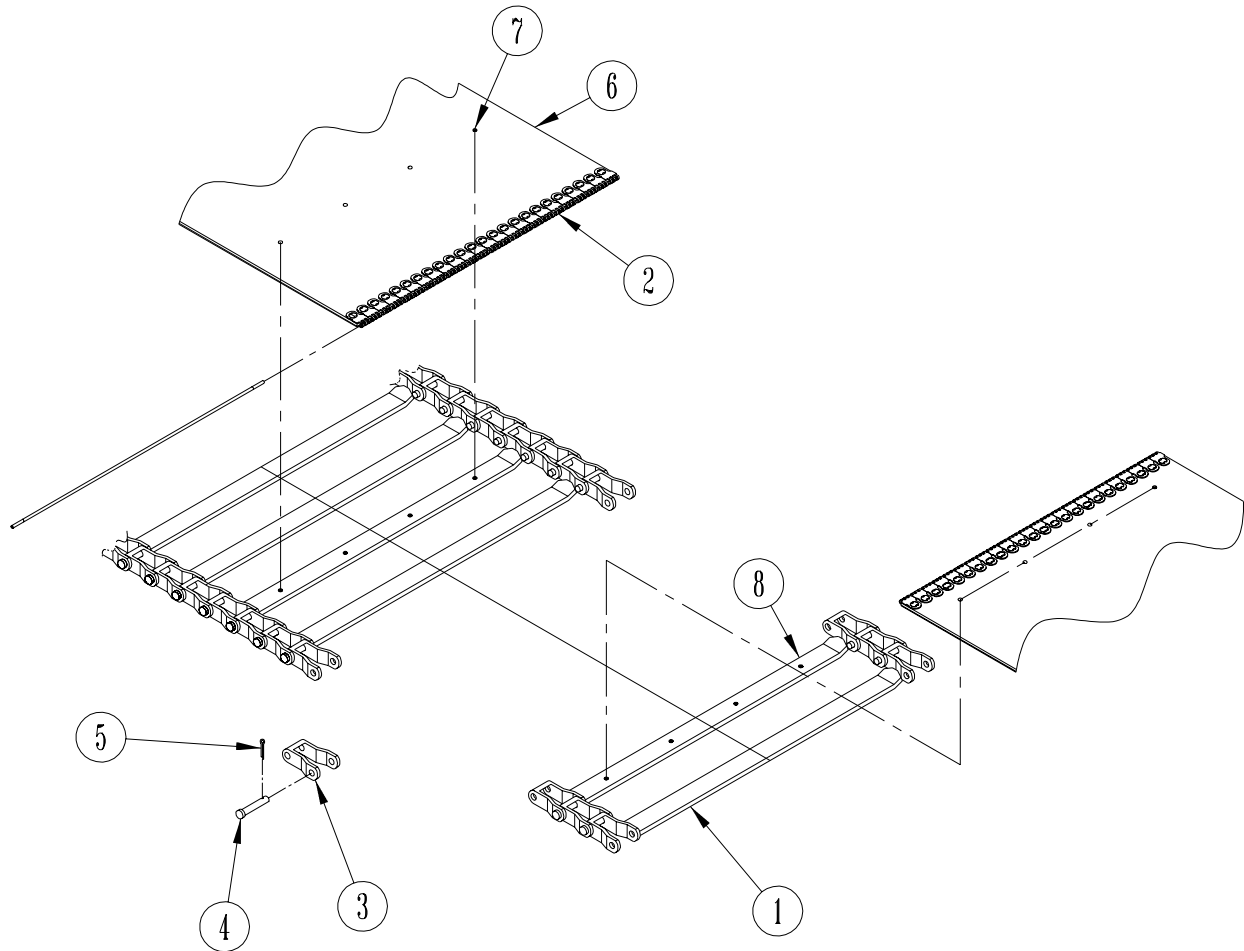
<u>ITEM</u>	<u>PART NO.</u>	<u>DESCRIPTION</u>	<u>QTY.</u>
1	1234-060 1234-061 1234-062	Decal - AGFORCE (Red) Decal - AGFORCE (Black) Decal - AGFORCE (Black/Yellow)	3
2	1234-040 1234-041 1234-042	Decal - FL3024 (Red) Decal - FL3024 (Black) Decal - FL3024 (Black/Yellow)	3
3	1234-055	Decal - Chain Tension	1
4	1234-056	Decal - Hydraulic Oil	1

GEAR BOX



NOTE: See instructional page for removing gearbox from shaft.

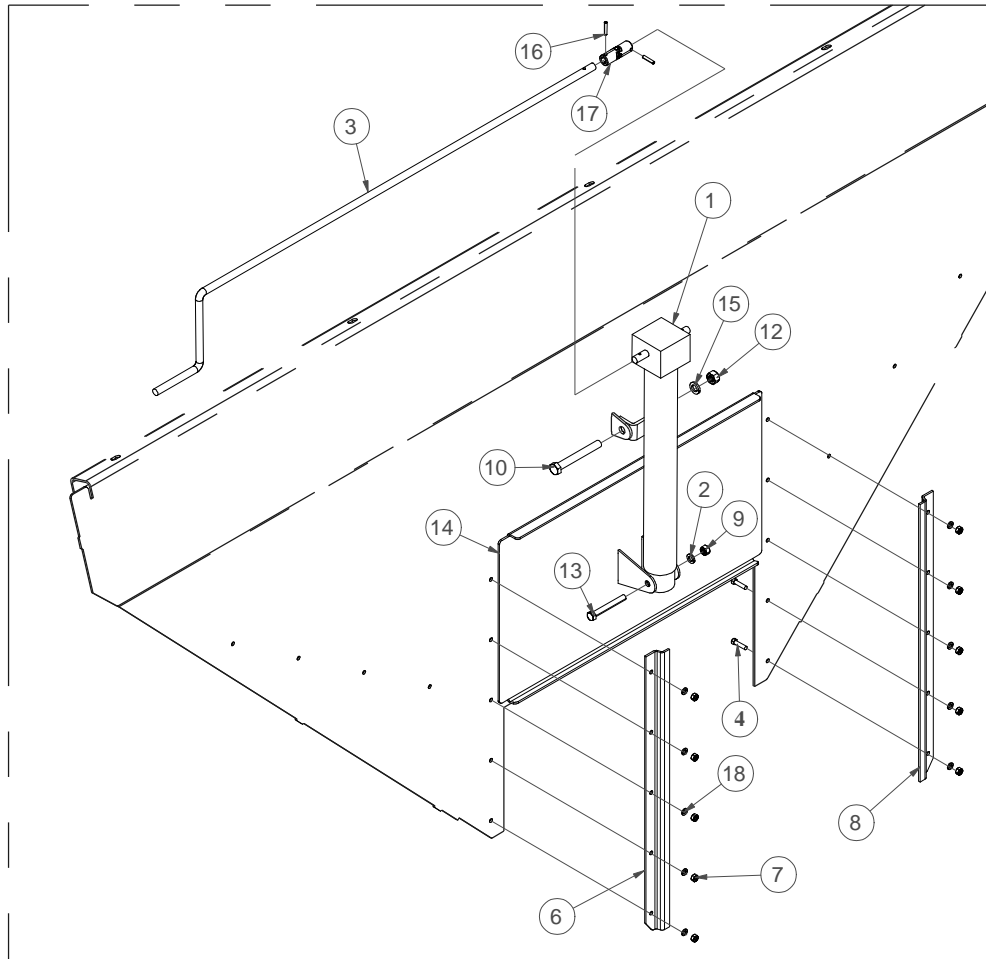
ITEM	PART NO.	DESCRIPTION	QTY
1	1201-238M	Plug - 1/2" Square Head, Magnetic	1
2	1204-08	Gasket	1
3	1217-104	Bearing	2
4	1217-110	Gear - Pinion	1
5	1220-501	Breather	1
6	1217-111	Gear - Driven	1
7	1217-105	Bearing - Small - Pinion Nose	1
8	1220-50-O	Housing - Outboard, Gearbox	1
9	1201-238	Plug - 1/2" Square Head	1
10	1200-327	Hex Head Capscrew - 7/16" UNC x 2 3/4"	9
11	1208-97	Snap Ring	1
12	1200-251A	Capscrew - Socket Head 5/16-18 x 1"	1
13	1217-110P	Plug - Delrin	1
14	1204-07	Seal	1
15	1220-50-I	Housing - Inboard, Gearbox	1
16	1209-100	Washer - Retainer	1
17	1217-106	Bearing - Large - Pinion Shaft	1
18	1208-06	Snap Ring	1
19	1209-102	Lock Washer - 7/16"	9



BELT OVER PINTLE CHAIN

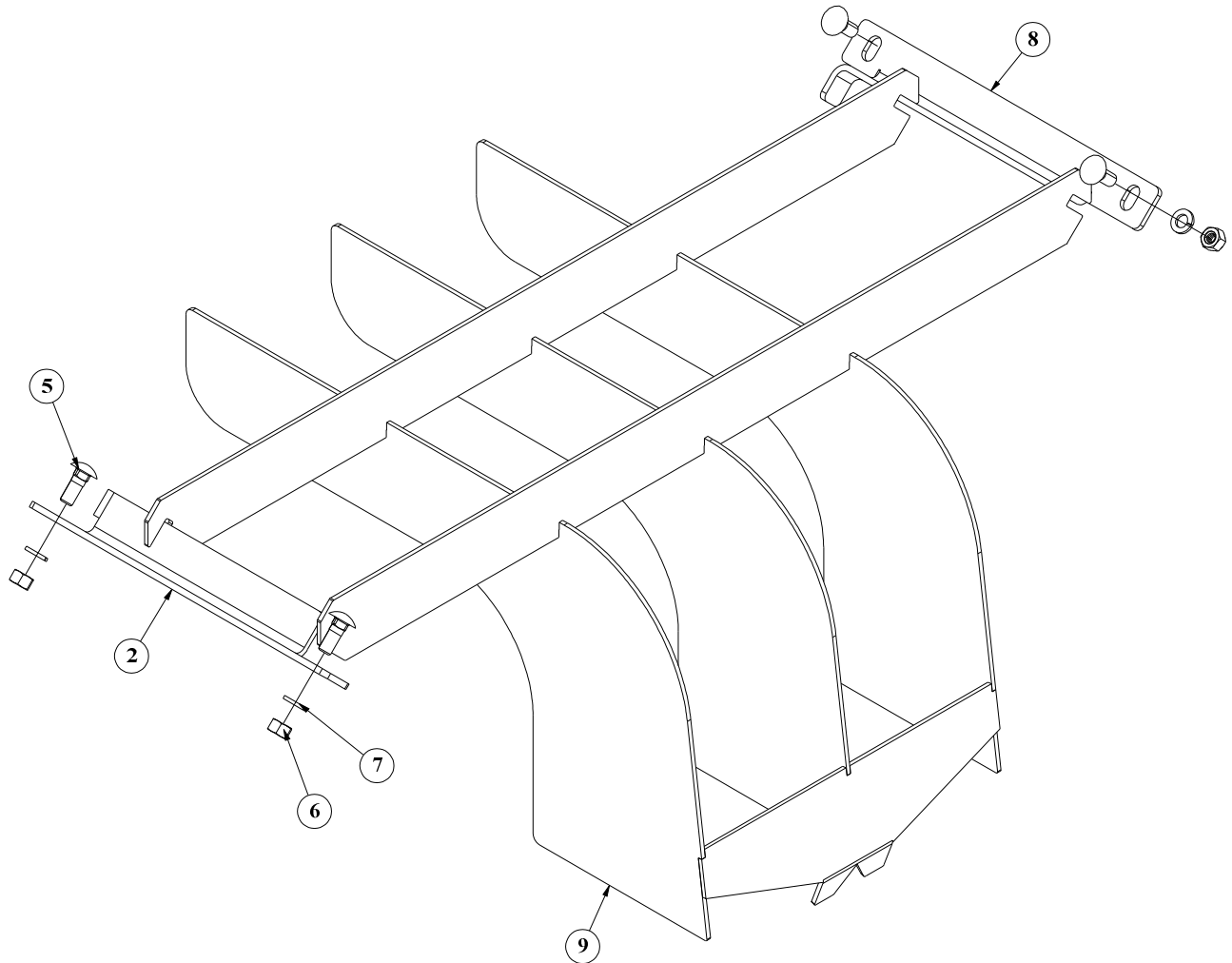
<u>ITEM</u>	<u>PART NO.</u>	<u>DESCRIPTION</u>	<u>QTY.</u>
1	1234-907	Weldment - Crossbar (without holes)	As Req'd
2	1000-42 1000-43	Splice Kit - M/S Splice Kit - S/S	1
3	1234-901	Link - Pintle Chain	As Req'd
4	1234-902	Pin - Pintle Chain	As Req'd
5	1234-903	Cotter Pin	As Req'd
6	1000-24	Belt - Conveyor (Specify Box Length)	As Req'd
7	1209-40C 1209-41C 1200-248 1200-249 1200-2515	Washer - Dimpled M/S Washer - Dimpled S/S Allen Head Cap Screw - Alloy Steel Allen Head Cap Screw - Stainless Steel Allen Head Cap Screw - Alloy Steel (Used on High Temp BOC only)	As Req'd
8	1234-908	Weldment - Crossbar (with holes)	As Req'd
	1234-922 1234-923 1234-924	Assembly - Belt Over Chain - 12' Box Assembly - Belt Over Chain - 13' Box Assembly - Belt Over Chain - 14' Box	As Req'd

FEEDGATE ASSEMBLY

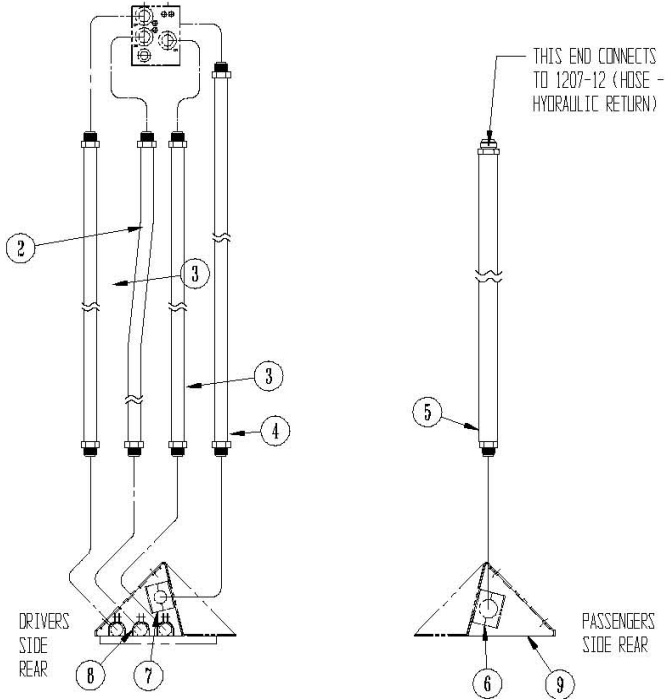


ITEM	PART NO.	DESCRIPTION	QTY
1	1218-80	Assembly - Jack	1
2	1209-42	Lock Washer - 3/8"	1
3	1218-81SS	Handle	1
4	1200-2002	Hex Head Capscrew - 1/4" UNC x 1" Lg.	10
6	1218-86 LH	Feedgate Slide - LH	1
7	1205-11	Nut - 1/4" UNC SS	10
8	1218-86 RH	Feedgate Slide - RH	1
9	1205-21	Nut - 3/8" UNC	1
10	1200-416	Hex Head Capscrew - 1/2" UNC x 4"	1
12	1205-37	Nut - 1/2" UNC	1
13	1200-310	Hex Head Capscrew - 3/8" UNC x 3" MS	1
14	1234-350	Weldment - Feedgate	1
15	1209-62	Lock Washer - 1/2"	1
16	1208-015	Roll Pin	2
17	1218-85	U-Joint	1
18	1209-21	Lock Washer - 1/4"	10

HILLSIDE FLOW DIVIDER

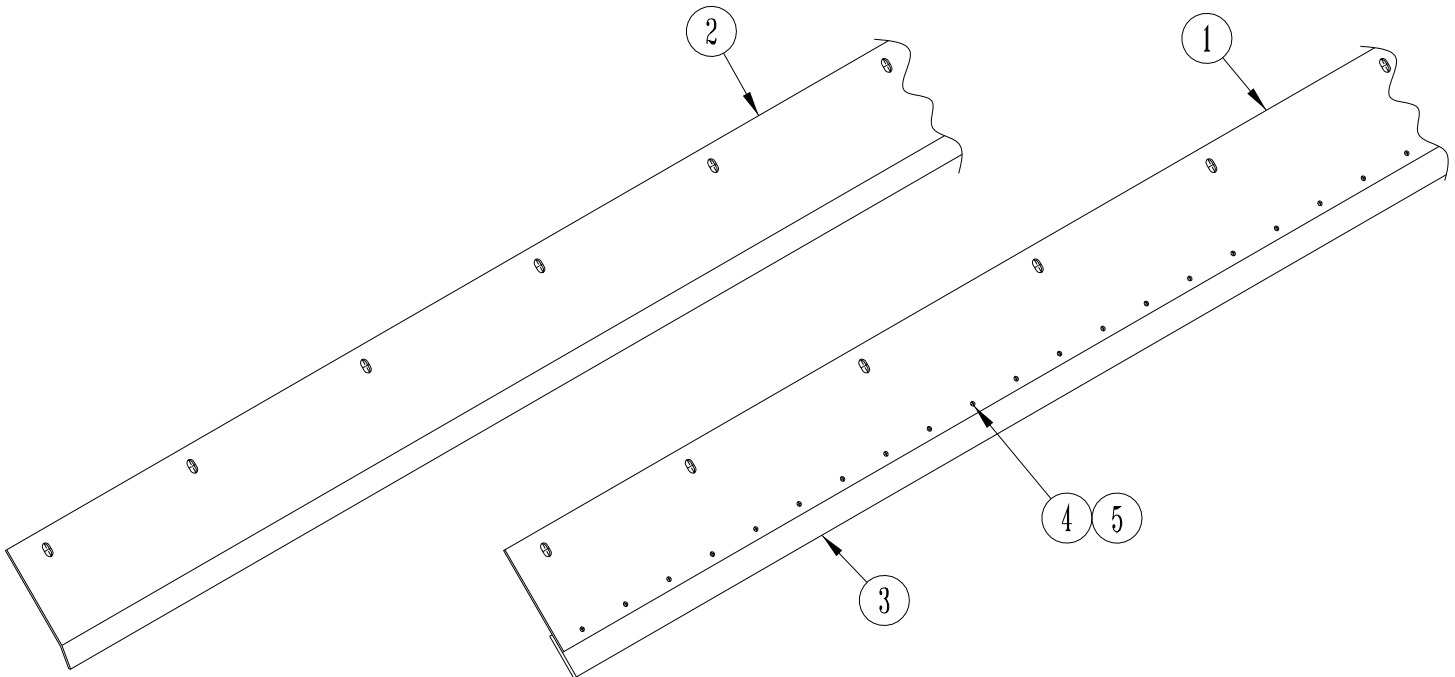


ITEM	PART NO.	DESCRIPTION	QTY
2	1234-452 LH	Bracket - Mounting LH	1
5	1200-302SS	Carriage Bolt - 3/8" UNC x 1" SS	4
6	1205-27	Nut - 3/8" UNC SS	4
7	1209-43	Lock Washer - 3/8" SS	4
8	1234-452 RH	Bracket - Mounting RH	1
9	1234-453	Weldment - Hillside Flow Divider	1



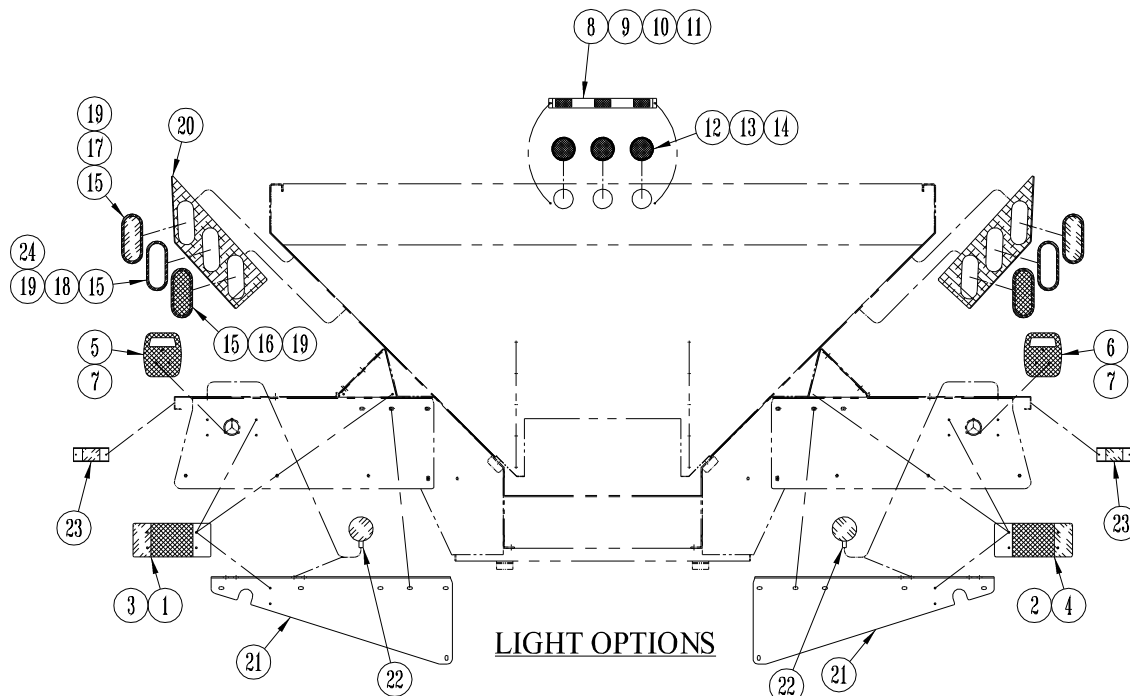
HYDRAULIC PIPES

ITEM	PART NO.	DESCRIPTION	QTY.
2	1234-532	Hydraulic Pipe -12' Box	1
	1234-533	Hydraulic Pipe -13' Box	
	1234-534	Hydraulic Pipe -14' Box	
	1234-535	Hydraulic Pipe -15' Box	
	1236-538	Hydraulic Pipe -18' Box	
3	1234-522	Hydraulic Pipe -12' Box	2
	1234-523	Hydraulic Pipe -13' Box	
	1234-524	Hydraulic Pipe -14' Box	
	1234-525	Hydraulic Pipe -15' Box	
	1236-528	Hydraulic Pipe -18' Box	
4	1234-552	Hydraulic Pipe -12' Box	1
	1234-553	Hydraulic Pipe -13' Box	
	1234-554	Hydraulic Pipe -14' Box	
	1234-555	Hydraulic Pipe -15' Box	
	1236-558	Hydraulic Pipe -18' Box	
5	1234-542	Hydraulic Pipe -12' Box	1
	1234-543	Hydraulic Pipe -13' Box	
	1234-544	Hydraulic Pipe -14' Box	
	1234-545	Hydraulic Pipe -15' Box	
	1236-548	Hydraulic Pipe -18' Box	
6	1208-93	Clamp - Pipe	2
7	1208-92	Clamp Pipe	1
8	1208-96	Clamp - Pipe	3
9	1234-559	Cap-Hydraulic Line Cover	1-RH, 1-LH
	1200-3011	Requires:	
	1205-27	(2) Hexhead Capscrew - 3/8"UNC 1"SS	
	1209-43	(2) Hex Nut - 3/8" UNC SS (2) Lock Washer - 3/8" SS Per Cover	



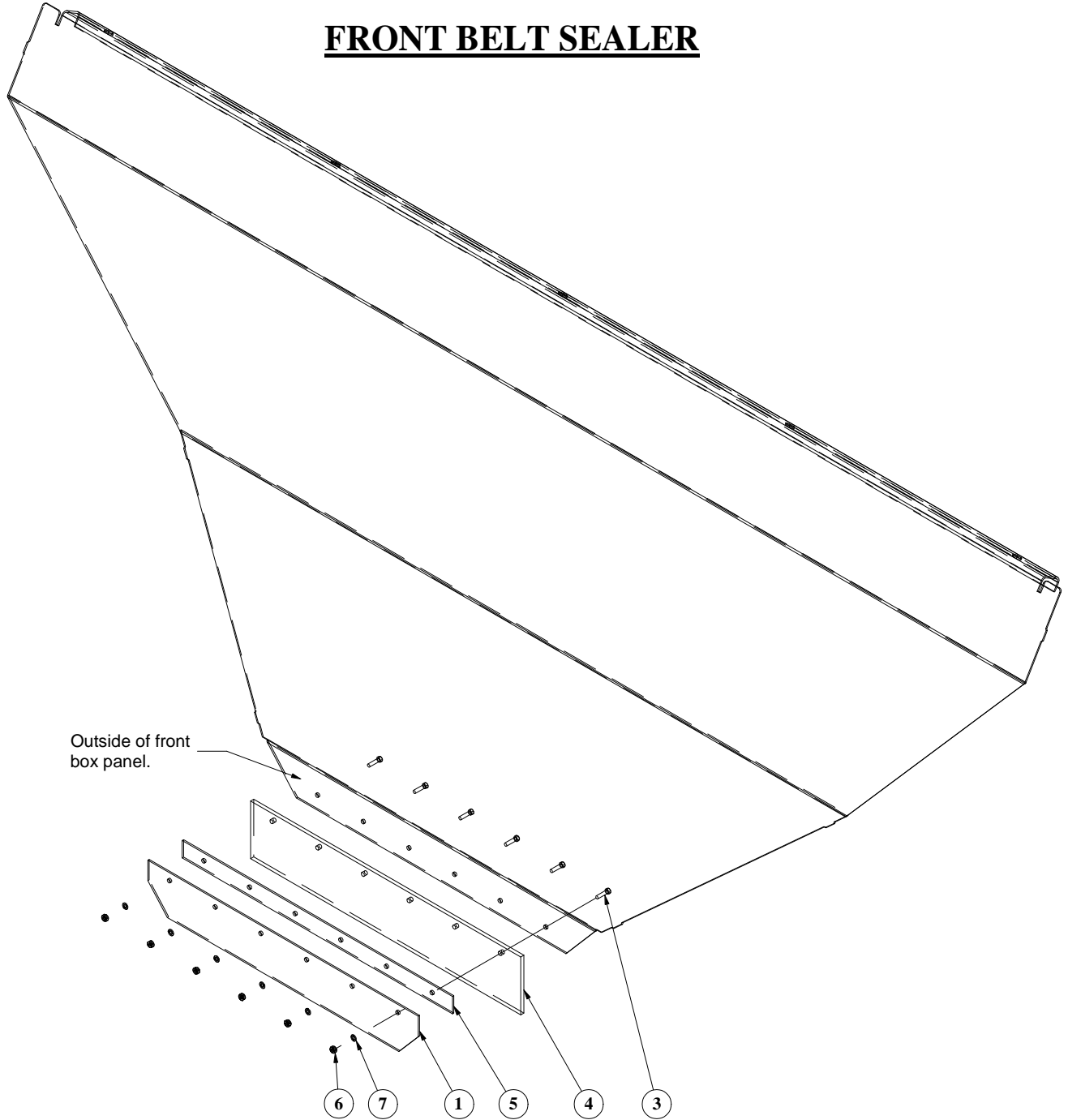
CHAIN SHIELDS

<u>ITEM</u>	<u>PART NO.</u>	<u>DESCRIPTION</u>	<u>QTY</u>
1	1234-912 1234-913 1234-914	Weldment - Chain Shield #4 BOC - 12' Box Weldment - Chain Shield #4 BOC - 13' Box Weldment - Chain Shield #4 BOC - 14' Box	1-RH, 1-LH
	1200-302SS 1209-43 1205-27	Requires: Carriage Bolt - 3/8" UNC x 1" SS Lock Washer - 3/8" SS Nut - 3/8" UNC SS	As Req'd
2	1234-932 1234-933 1234-934	Weldment - Chain Shield #2 Chain only - 12' Box Weldment - Chain Shield #2 Chain only - 13' Box Weldment - Chain Shield #2 Chain only - 14' Box	1-RH, 1-LH
	1200-302SS 1209-43 1205-27	Requires: Carriage Bolt - 3/8" UNC x 1" SS Lock Washer - 3/8" SS Nut - 3/8" UNC SS	As Req'd
3	1000-37 1000-38	Seal Strips - STD (Specify Box Length) Seal Strips - High Temp. (Specify Box Length)	2 2
4	1205-86	T-Nut (Specify Box Length)	As Req'd
5	1200-086	Button Head Socket Cap Screw - (Specify Box Length)	As Req'd



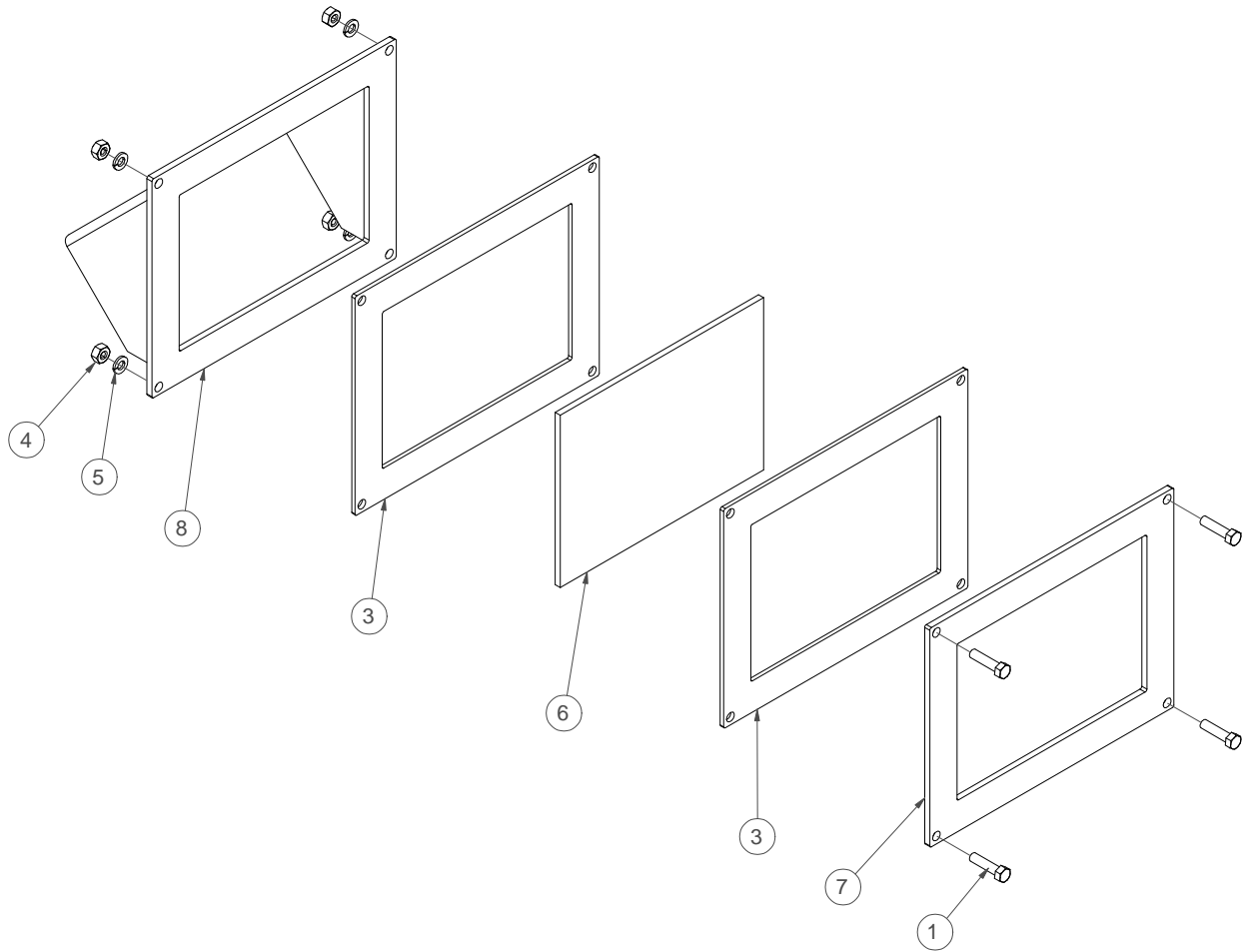
ITEM	PART NO.	DESCRIPTION	QTY.
1	1214-270L	Assembly - Left Hand - Tail Light, Red/Amber/Clear	1
2	1214-270R	Assembly - Right Hand - Tail Light, Red/Amber/Clear	1
	1223-752	Wiring Harness for 1214-270	1
	1223-753	Extension Cable - from 1223-752 to tractor 7 terminal connector (req'd on trailer units only)	1
3	1214-271L	Lens - Left Hand , Red/Amber/Clear	As Req'd
4	1214-271R	Lens - Right Hand , Red/Amber/Clear	As Req'd
5	1214-250L	Assembly - Left Hand - Tail Light, Red/Clear	1
6	1214-250R	Assembly - Right Hand - Tail Light, Red/Clear	1
7	1214-2	Assembly - Universal - Tail Light, Red/Clear	2
8	1214-290	Assembly - ID Bar, SS, 3-Light	1
9	1214-291	Housing - ID Bar - SS	As Req'd
10	1214-292	Lamp - 12V - Red	As Req'd
11	1214-293	Wiring Harness - ID Bar	As Req'd
12	1214-282	Marker Light - Red	3
13	1214-282G	Grommet - Round	3
14	1214-282P	Pigtail	3
15	1214-283G	Grommet - Oval	6
16	1214-283R	Oval Lamp - Red	2
17	1214-283Y	Oval Lamp - Yellow	2
18	1214-283C	Oval Lamp - Clear	2
19	1214-283P	Pigtail	6
20	1236-250	Weldment - Tail Light Box Requires: 1200-302SS (2) Carriage Bolt - 3/8" UNC X 1" SS 1205-27 (2) Nut - 3/8" SS 1209-43 (2) Lock Washer - 3/8" SS 1209-41 (2) Flat Washer - 3/8" SS Per Weldment	1-RH, 1-LH
21	1234-603	Wide Tail Light Bracket - Optional on Agforce LTD & Trailers Requires: 1209-43 (2) Lock Washer - 3/8" SS 1205-27 (2) Nut - 3/8" UNC SS 1200-302SS (2) Carriage Bolt - 3/8" UNC x 1" SS Per Bracket	1-RH, 1-LH
22	1214-25	Flasher - Amber	2
23	1214-284Y	Side Marker - Yellow	2
	1214-284R	Side Marker - Red	2
24	1214-283S	Oval Lamp - Yellow Strobe	As Req'd

FRONT BELT SEALER



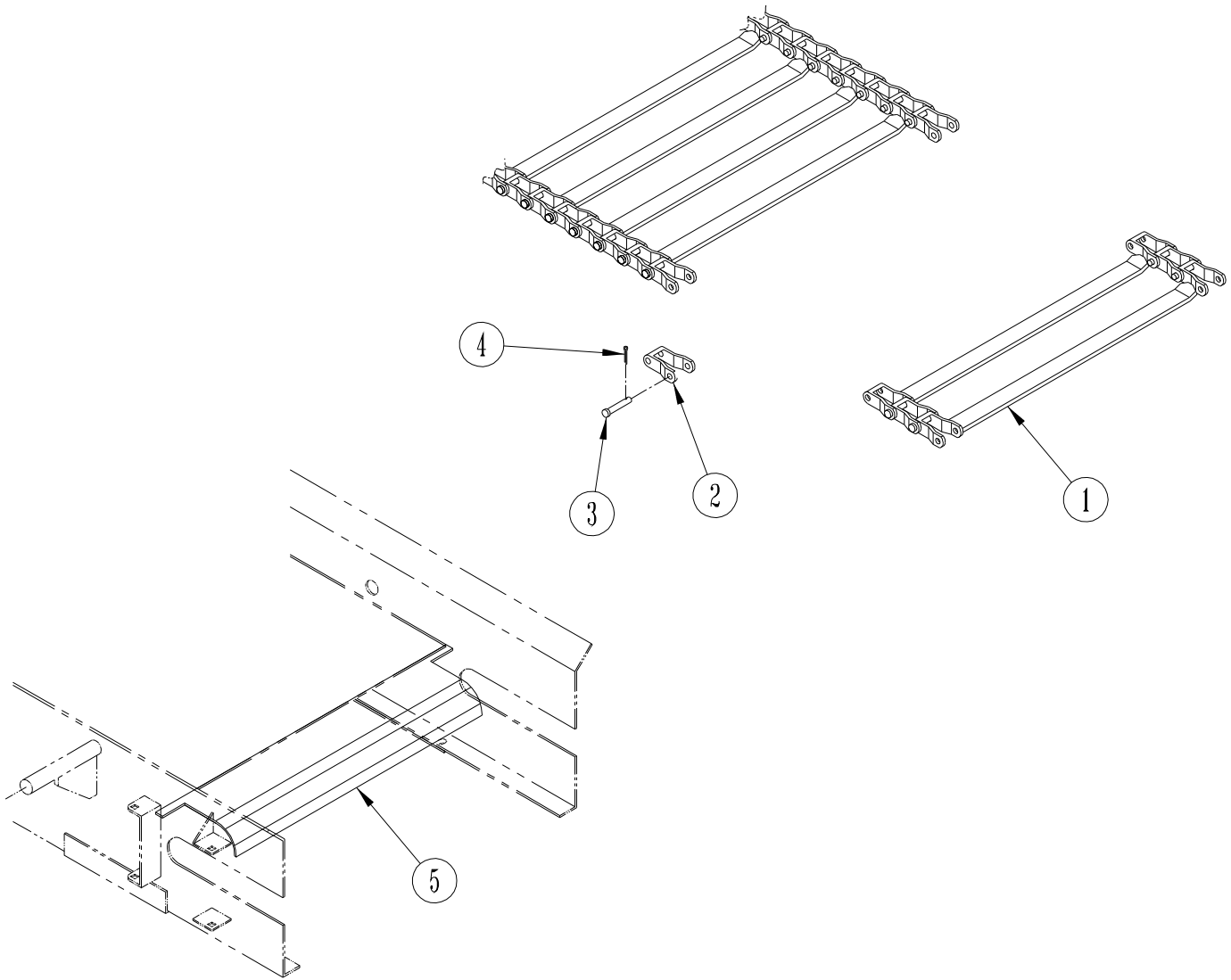
ITEM	PART NO.	DESCRIPTION	QTY
1	1234-906SC	Opt. Back Plate for Units w/Straight Chain Only	1
3	1200-202	Hex Head Capscrew - 1/4" UNC x 1" Lg. SS	6
4	1234-905	Front Belt Sealer Strip (Std.), 1234-905HT (High Temp), 1234-905SC (Straight Chain)	1
5	1234-906	Std. Back Plate for Units w/Belt Over Chain	1
6	1205-11	Nut - 1/4" UNC SS	6
7	1209-22	Lock Washer - 1/4" SS	6

BOX WINDOW - OPTIONAL



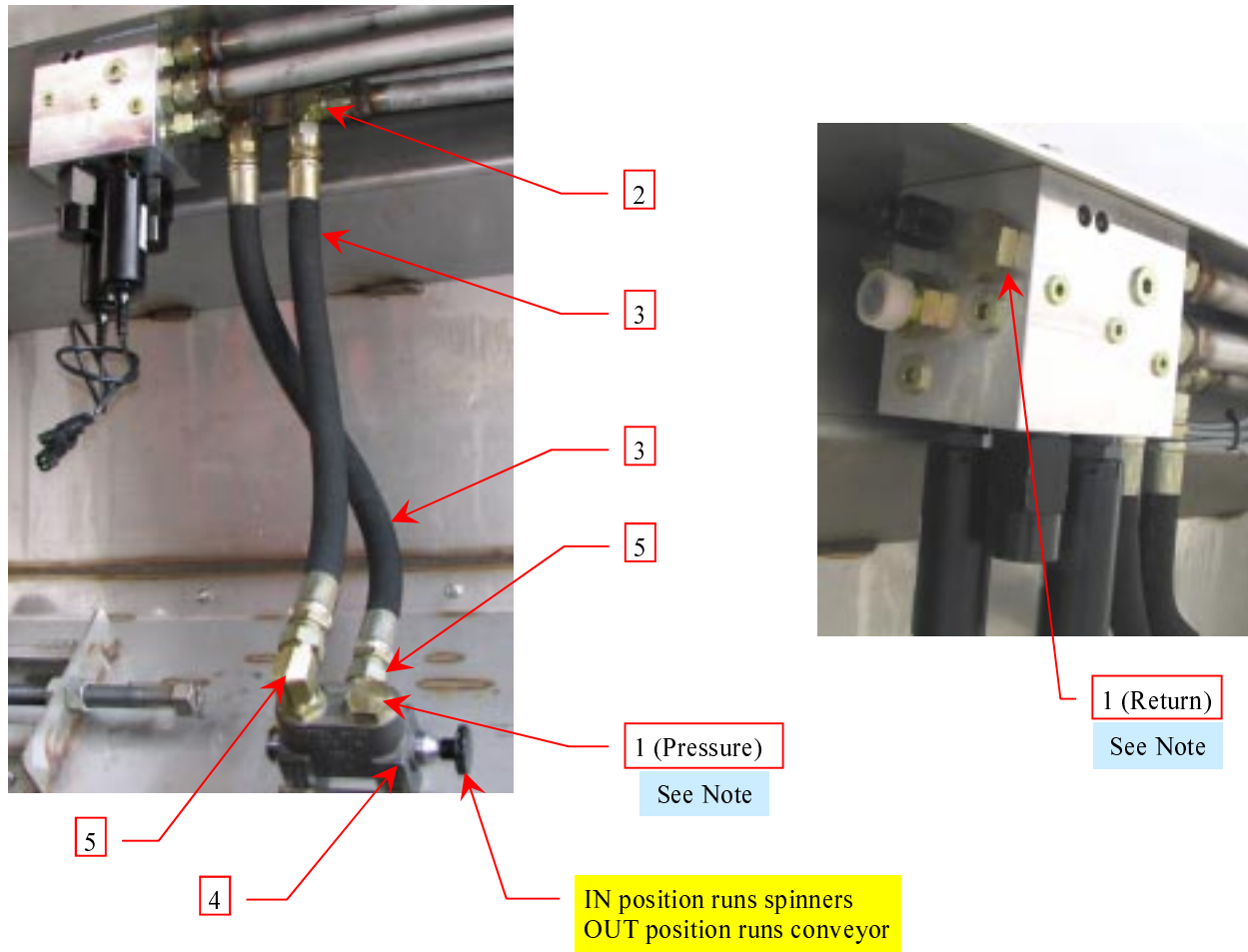
1234-950 Window Assembly - Complete (Includes items 1 - 8)

ITEM	PART NO.	DESCRIPTION	QTY
1	1200-2049	Hex Head Capscrew - 1/4" UNC x 1 1/2"	4
3	F 1026	Gasket - Cork	2
4	1205-11	Nut - 1/4" UNC SS	4
5	1209-22	Lock Washer - 1/4" SS	4
6	F 1025	Window	1
7	1234-952	Back Plate - Window	1
8	1234-951	Weldment - Window Guard	1



STRAIGHT CHAIN

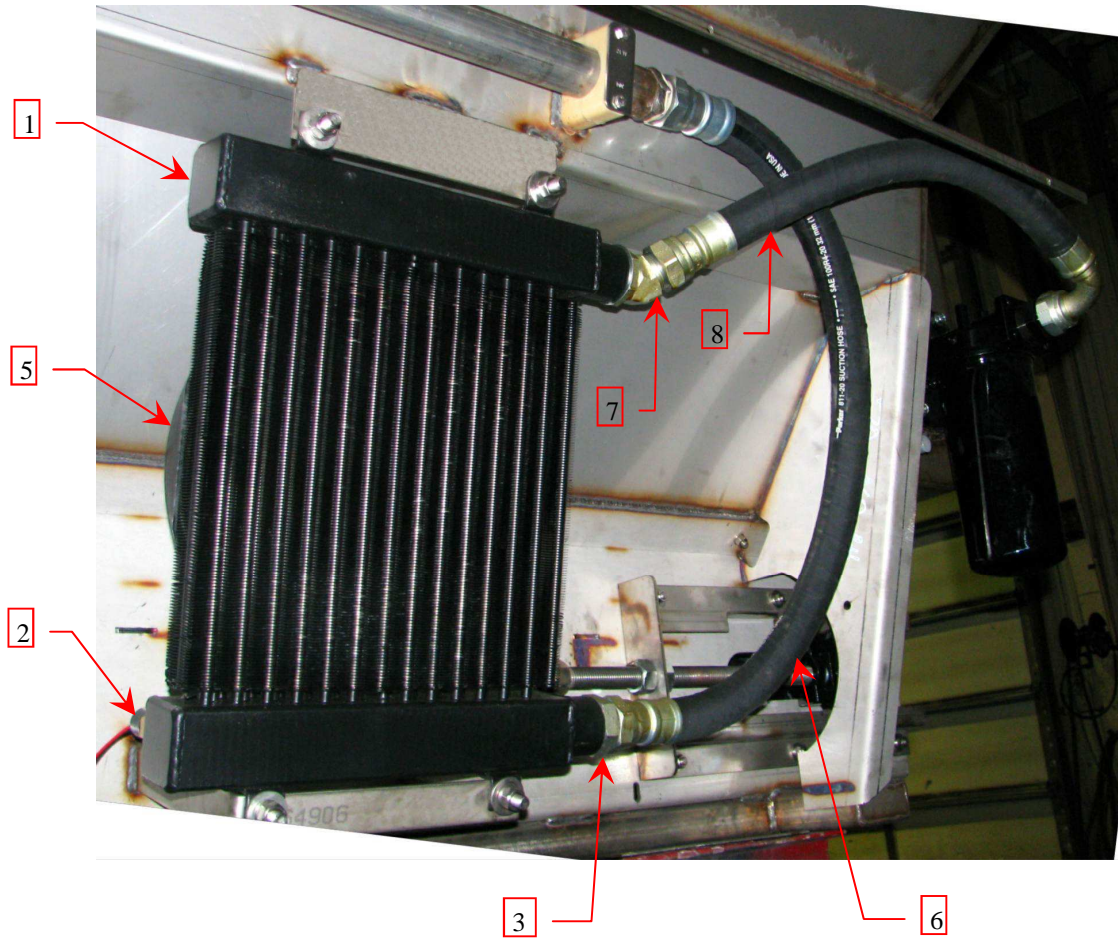
<u>ITEM</u>	<u>PART NO.</u>	<u>DESCRIPTION</u>	<u>QTY.</u>
1	1234-907	Weldment - Crossbar	As Req'd
2	1234-901	Link - Pintle Chain	As Req'd
3	1234-902	Pin - Pintle Chain	As Req'd
4	1234-903	Cotter Pin	As Req'd
	1234-9XX	Assembly - #2 Straight Chain - Bar every other link (Specify Box Length)	As Req'd
	1234-9XX	Assembly - #3 Straight Chain - Bar every link (Specify Box Length)	As Req'd
5	1234-904	Conveyor Bed Extension (Req'd on all Straight Chain Units Only)	1



NOTE: Spinner circuit controls conveyor.

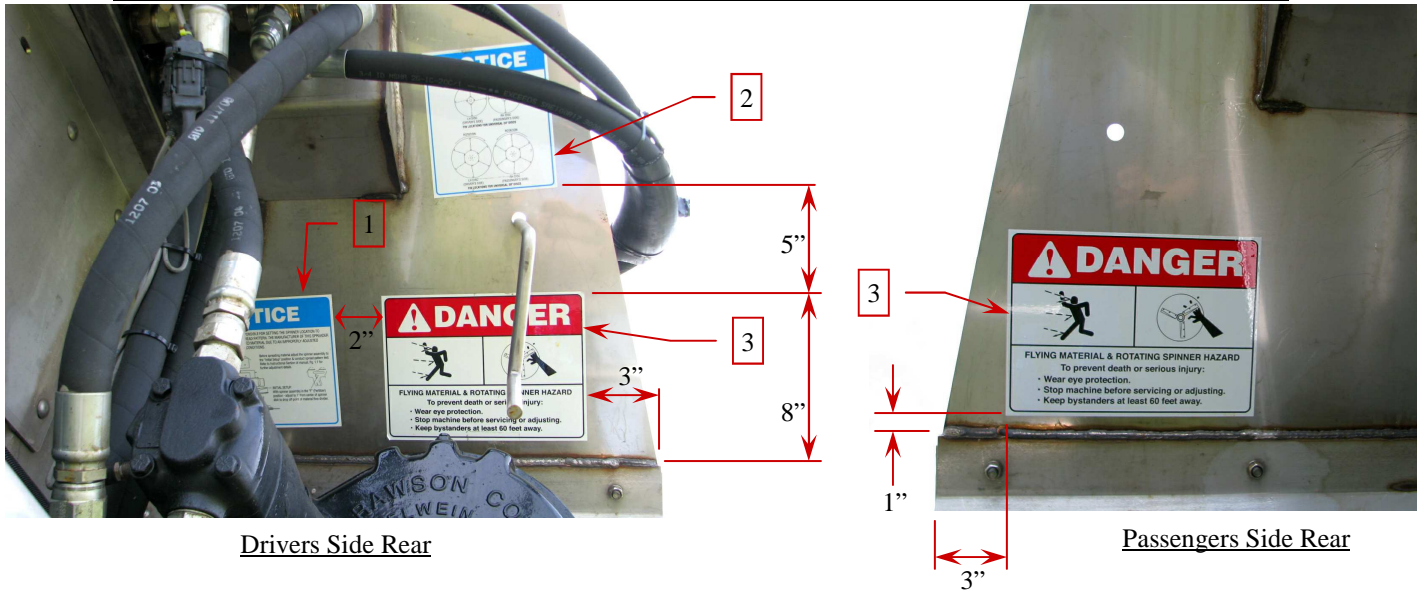
Optional Remote Conveyor Hydraulics

<u>ITEM</u>	<u>PART NO.</u>	<u>DESCRIPTION</u>	<u>QTY.</u>
	1202-500	Assembly (Includes items 1 thru 5)	1
1	1202-120	Plug (Note: Remove plugs & install quick couplers with adequate pressure/return hose where applicable)	2
2	1202-199	Weldment - Adapter	1
3	1207-500	Hose Ass'y	2
4	1222-20	Valve - Selector Requires: 1200-307 (2) Hex Head Capscrew - 3/8" UNC x 2-1/2" MS 1205-21 (2) Nut - 3/8" UNC MS 1209-42 (2) Lock Washer - 3/8" MS	1
5	1202-201	Adapter - Elbow	2



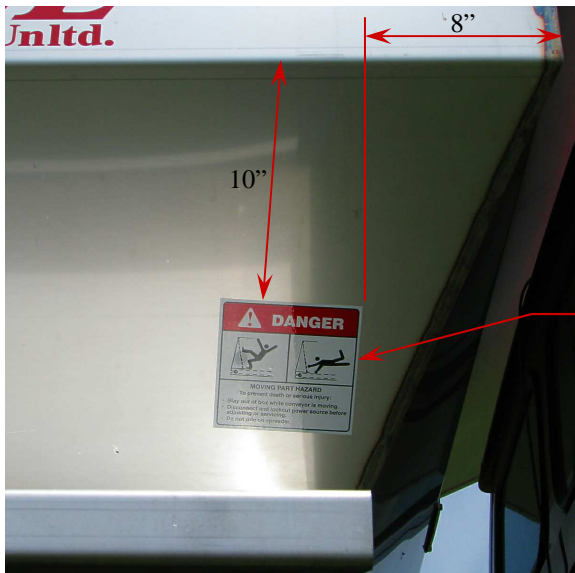
Optional Oil Cooler

<u>ITEM</u>	<u>PART NO.</u>	<u>DESCRIPTION</u>	<u>QTY.</u>
1	1222-544 1200-350 1209-61 1209-63 1205-36	Oil Cooler Requires: (4) Hex Head Capscrew - 1/2" UNC x 1-1/2" SS (4) Flat Washer - 1/2" SS (4) Lock Washer - 1/2" SS (4) Nut - 1/2" UNC SS	1
2	1214-345	Temperature Switch	1
3	1202-11600 1202-20905	Adapter - Straight Adapter - 45 Deg. (AgChem 8303 Chassis)	1 1
4			
5	1223-544 1223-544 AG	Wire Harness Wire Harness for use on AgChem 8303 Chassis	1
6	1207-415C	Hose	1
7	1202-20905	Adapter - 45 Deg.	1
8	1207-027	Hose	1



Drivers Side Rear

Passengers Side Rear



Passengers Side Front

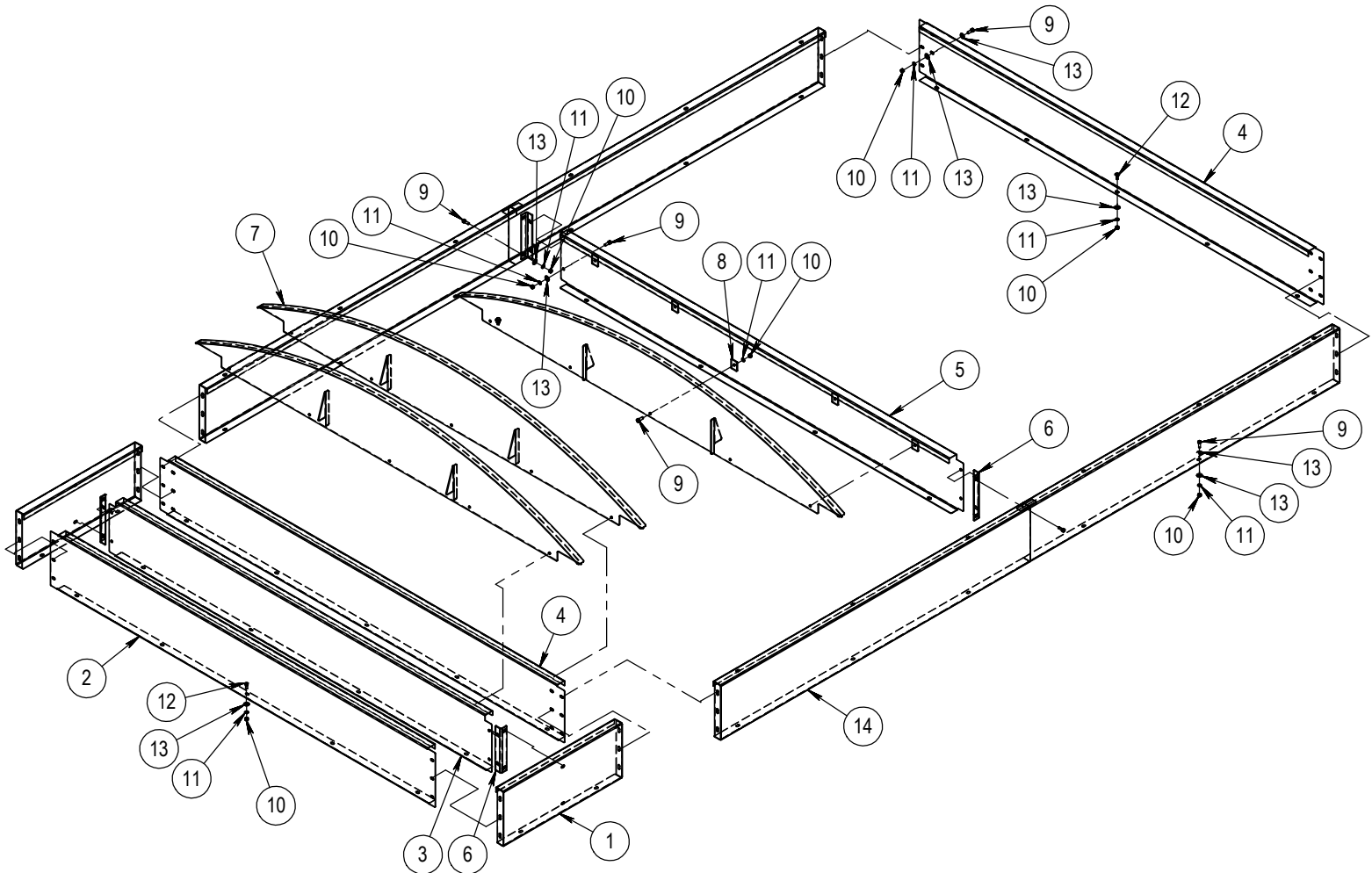


Drivers Side Front

Safety Decals

<u>ITEM</u>	<u>PART NO.</u>	<u>DESCRIPTION</u>	<u>QTY.</u>
1	1234-050	Decal - Spinner Disc Location	1
2	1234-051	Decal - Fin Location on Universal Disc	1
3	1234-052	Decal - Flying Material	2
4	1234-053	Decal - To Avoid Injury or Machine Damage	1
5	1234-054	Decal - Moving Part Hazard	2

OPTIONAL 12" H SS BOX EXTENSIONS FOR 102" W BOX



ITEM NO.	PartNo	DESCRIPTION	QTY.
1	1239-15205	12" TRI-FORCE BIN EXTENSION SIDE PANEL WELDMENT	2
2	1239-15305	12" HIGH TRI-FORCE REAR EXTENSION	1
3	1239-15405	12" HIGH TRI-FORCE BIN CENTER EXTENSION	1
4	1234-148	12" HIGH FRONT & REAR EXTENSIONS	2
5	1234-1520	12" HIGH CENTER EXTENSION	1
6	1234-1530	BRACKET FOR 12" HIGH EXTENSIONS	As Req'd
7	1237-18W	DF/TF/QF Divider Extension Weldment for use with 12" High Tarp	As Req'd
8	1234-942	BOARD EXTENSION CLIP	As Req'd
9	1200-3011	Hex Head Capscrew - 3/8" UNC x 1" SS	As Req'd
10	1205-27	Nut - 3/8" UNC SS	As Req'd
11	1209-43	Lock Washer - 3/8" SS	As Req'd
12	1200-302SS	Carriage Bolt - 3/8" UNC x 1" SS	As Req'd
13	1209-41	Flat Washer - 3/8" SS	As Req'd
14	1234-XXX	12" HIGH SIDE BOX EXTENSION (SPECIFY BOX LENGTH)	2